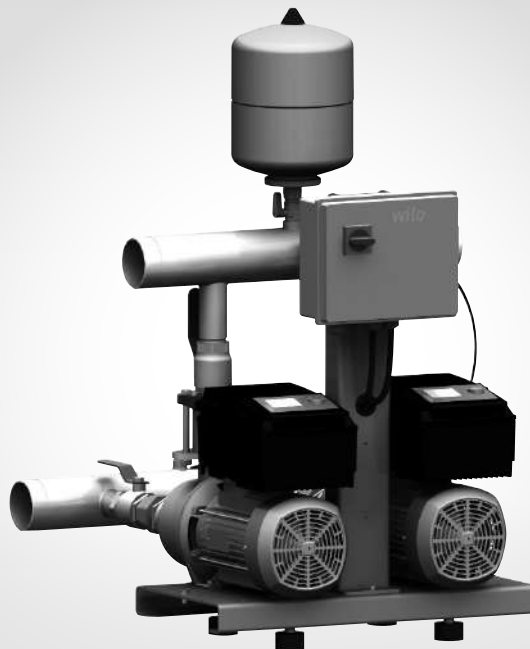


## Wilo-COR-..MHIE.../MS



**en** Installation and operating instructions  
**fr** Notice de montage et de mise en service

**nl** Inbouw- en bedieningsvoorschriften  
**pl** Instrukcja montażu i obsługi

Fig. 1:

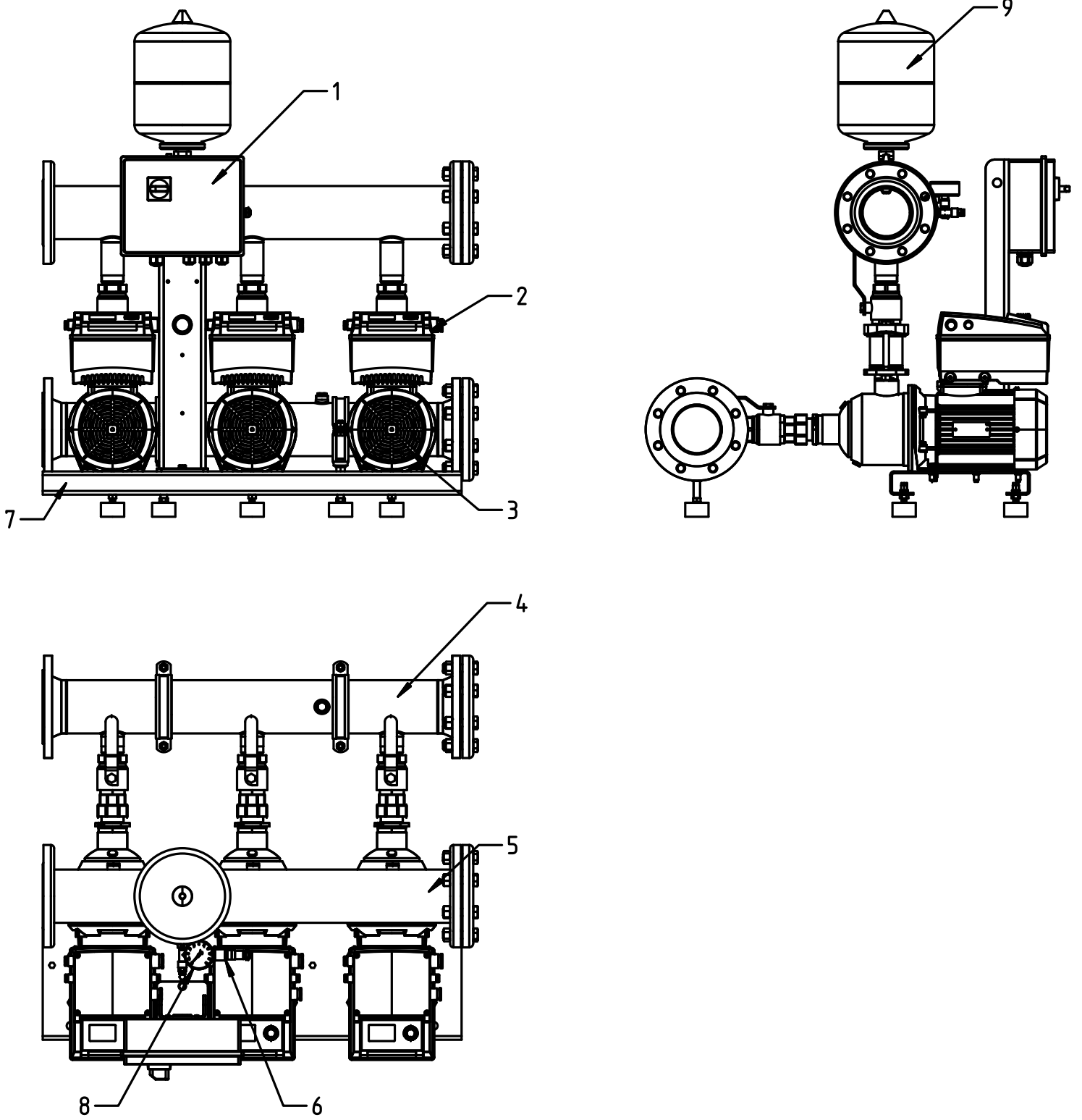


Fig. 2 & 3:

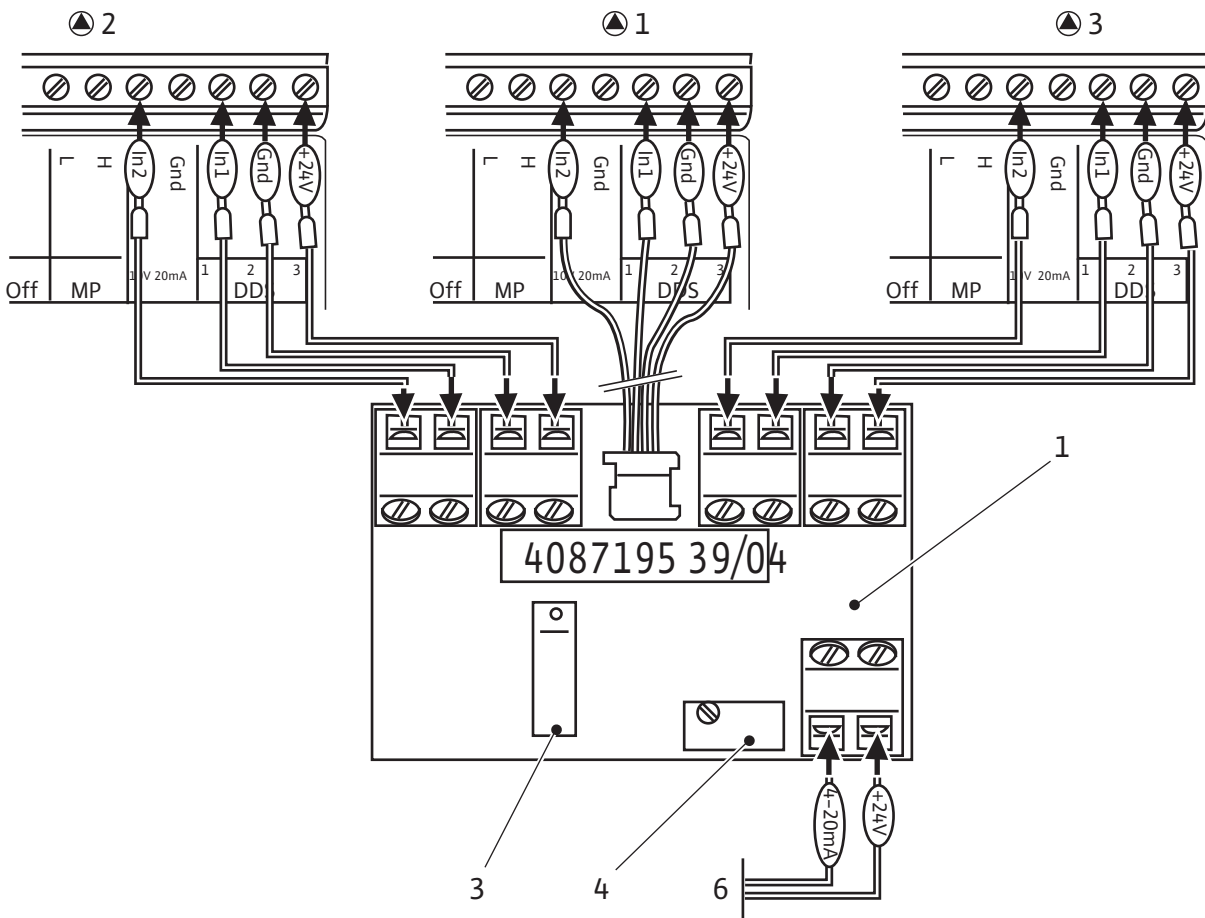
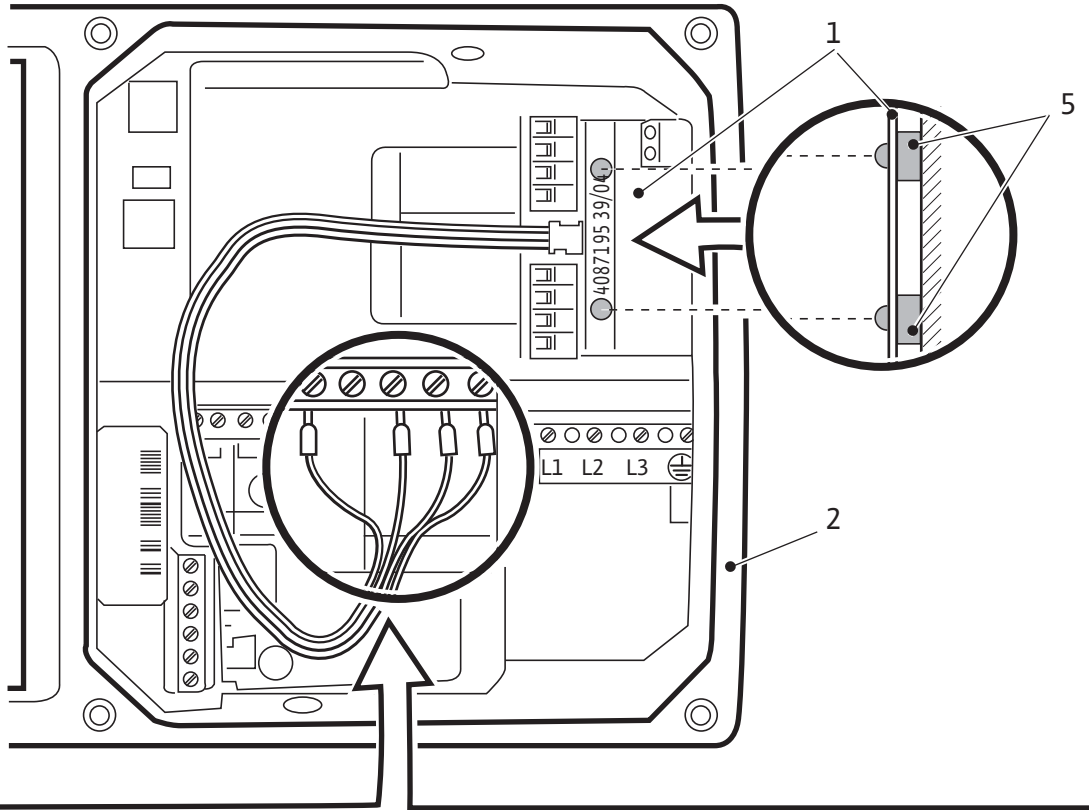


Fig. 4:



<b>en</b>	Installation and operating instructions	6
<b>fr</b>	Notice de montage et de mise en service	14
<b>nl</b>	Inbouw- en bedieningsvoorschriften	22
<b>pl</b>	Instrukcja montażu i obsługi	30

<b>1</b>	<b>General</b> .....	<b>7</b>
<b>1.1</b>	<b>About this document</b> .....	<b>7</b>
<b>2</b>	<b>Safety</b> .....	<b>7</b>
<b>2.1</b>	<b>Symbols and signal words in the operating instructions</b> .....	<b>7</b>
<b>2.2</b>	<b>Personnel qualifications</b> .....	<b>7</b>
<b>2.3</b>	<b>Danger in the event of non-observance of the safety instructions</b> .....	<b>7</b>
<b>2.4</b>	<b>Safety consciousness on the job</b> .....	<b>7</b>
<b>2.5</b>	<b>Safety instructions for the operator</b> .....	<b>7</b>
<b>2.6</b>	<b>Safety instructions for installation and maintenance work</b> .....	<b>8</b>
<b>2.7</b>	<b>Unauthorised modification and manufacture of spare parts</b> .....	<b>8</b>
<b>2.8</b>	<b>Improper use</b> .....	<b>8</b>
<b>3</b>	<b>Transport and temporary storage</b> .....	<b>8</b>
<b>4</b>	<b>Intended use</b> .....	<b>8</b>
<b>5</b>	<b>Technical information</b> .....	<b>9</b>
<b>5.1</b>	<b>Type key</b> .....	<b>9</b>
<b>5.2</b>	<b>Technical data</b> .....	<b>9</b>
<b>5.3</b>	<b>Delivery</b> .....	<b>9</b>
<b>5.4</b>	<b>Accessories</b> .....	<b>9</b>
<b>6</b>	<b>Description and function</b> .....	<b>9</b>
<b>6.1</b>	<b>Description</b> .....	<b>9</b>
<b>6.2</b>	<b>Operation</b> .....	<b>9</b>
<b>7</b>	<b>Installation and connection</b> .....	<b>10</b>
<b>7.1</b>	<b>Delivery and installation</b> .....	<b>10</b>
<b>7.2</b>	<b>Electrical connection</b> .....	<b>10</b>
<b>7.3</b>	<b>Hydraulic connection</b> .....	<b>10</b>
<b>8</b>	<b>Commissioning/decommissioning</b> .....	<b>11</b>
<b>8.1</b>	<b>General preparations and control measures</b> .....	<b>11</b>
<b>8.2</b>	<b>Commissioning the system</b> .....	<b>11</b>
<b>8.3</b>	<b>Decommissioning the system</b> .....	<b>11</b>
<b>9</b>	<b>Maintenance</b> .....	<b>11</b>
<b>10</b>	<b>Faults, causes and remedies</b> .....	<b>12</b>
<b>11</b>	<b>Spare parts</b> .....	<b>13</b>
<b>12</b>	<b>Disposal</b> .....	<b>13</b>

## 1 General

### 1.1 About this document

The language of the original installation and operating instructions is French. All other languages of these installation and operating instructions are translations of the original operating instructions. These installation and operating instructions are an integral part of the product. They must be kept readily available at the place where the product is installed. Strict adherence to these installation and operating instructions is a precondition for the proper use and correct operation of the product.

These installation and operating instructions correspond to the relevant version of the product and the underlying safety standards valid at the time of going to print.

A copy of the EC-Declaration of conformity is an integral part of these installation and operating instructions.

If a technical modification is made on the designs named without our prior approval, or if the declarations made in these installation and operating instructions on product/personnel safety are not observed, this declaration loses its validity.

## 2 Safety

These installation and operating instructions contain important instructions which must be adhered to during installation, operation and maintenance. These instructions must therefore, without fail, be read by the service technician and the qualified personnel/operator before installation and commissioning.

It is not only the general safety instructions listed in this section that must be adhered to but also the special safety instructions with danger symbols included in the following sections.

### 2.1 Symbols and signal words in the operating instructions



**Symbols:**  
**General danger symbol**



**Danger due to voltage**



**NOTICE: ...**

**Signal words:**

**DANGER!**

**Acutely dangerous situation.**

**Non-observance will result in death or the most serious of injuries.**

**WARNING!**

**The user may suffer (serious) injuries. "Warning" implies that (serious) injury to persons is probable if this information is disregarded.**

**CAUTION!**

**There is a risk of damaging the product/unit. "Caution" implies that damage to the product and its operation is likely if this information is disregarded.**

**NOTICE:**

Useful notice on handling the product. It also highlights any potential difficulties.

Information that appears directly on the product, such as

- the symbol indicating direction of flow/direction of rotation,
  - the identifiers for connections,
  - the rating plate,
  - warning stickers,
- must be strictly complied with and kept in legible condition.

### 2.2 Personnel qualifications

The installation, operation and maintenance personnel must have the appropriate qualifications to complete this work. The operator must ensure the personnel's areas of responsibility, terms of reference and their supervision. If the personnel are not in possession of the necessary knowledge, they are to be trained and instructed. If necessary, this training can be carried out by the product's manufacturer on the operator's behalf.

### 2.3 Danger in the event of non-observance of the safety instructions

Non-observance of the safety instructions may constitute a danger to persons, the environment and the product/system. Non-observance of the safety instructions also results in the loss of any claims to damages. In detail, non-observance can, for example, result in the following risks:

- Danger to persons due to electrical, mechanical and bacteriological factors.
- Damage to the environment due to leakage of hazardous materials.
- Damage to the installation.
- Failure of important product/system functions.
- Failure of required maintenance and repair processes.

### 2.4 Safety consciousness on the job

The safety instructions included in these installation and operating instructions, the existing national regulations for accident prevention together with any internal working, operating and safety instructions from the operator must be complied with.

### 2.5 Safety instructions for the operator

This device is not intended for use by persons (including children) with reduced physical, sensory or mental capabilities, or a lack of experience or knowledge, unless they are monitored or have been given detailed instructions concerning use of the device by a person responsible for their safety.

Children must be supervised to ensure that they do not play with the device.

- If hot or cold components of the product or system pose a danger, it is the customer's responsibility to guard them against being touched.
- Guards protecting against touching moving components (such as the coupling) must not be removed whilst the product is in operation.
- Hazardous fluids (e.g. from the shaft seals) which have leaked (which are explosive, toxic or hot) must be eliminated so that no danger to persons or to the environment arises. National statutory provisions must be respected.
- Highly flammable materials are always to be kept at a safe distance from the product.
- Danger from electrical current must be eliminated. Local directives or general directives (e.g. IEC, VDE etc.) and instructions from energy supply companies must be adhered to.

## 2.6 Safety instructions for installation and maintenance work

The operator must ensure that all maintenance and installation work is carried out by authorised and qualified personnel, who are sufficiently informed from their own detailed study of the installation and operating instructions.

Work on the product or system must only be carried out when it is at a standstill. Compliance with the procedures described in the installation and operating instructions for shutting down the product/system is mandatory.

Immediately on conclusion of the work, all safety and protective devices must be put back in position and recommissioned.

## 2.7 Unauthorised modification and manufacture of spare parts

Unauthorised modification of components and use of unauthorised spare parts will impair the safety of the product/personnel, and will render the manufacturer's declarations regarding safety void.

Modifications to the product are only permissible following consultation with the manufacturer.

Original spare parts and accessories authorised by the manufacturer ensure safety.

The use of other parts absolves the manufacturing company of any and all liability.

## 2.8 Improper use

The operational reliability of the supplied product is only guaranteed if the requirements set out in Section 4 of the installation and operating instructions are complied with. The limit values must on no account fall below or exceed the values specified in the catalogue or data sheet.

## 3 Transport and temporary storage

When receiving the product, check that it has not been damaged during transport. If any damage is found, take all necessary measures with the carrier in the time provided.

The pressure-boosting system is delivered on a pallet. It is protected from moisture and dust by transparent plastic shrink-wrap.

The transportation and storage instructions located on the packaging must be observed.

The system must be transported using a lifting device suitable for carrying the load.

### WARNING!

**The static stability of the device must be taken into account because, due to the pumps' design, the system's centre of gravity shifts towards its upper part.**

**Maintenance must be performed by qualified personnel using suitable and authorised equipment. Lifting straps must be fastened to the eye bolts designed for this purpose or placed around the steel baseplate.**

**The collector tanks are not suitable for handling the pressure-boosting system and must not be used to fix loads.**

**The stickers attached to the collector tanks provide a reminder of these instructions (Fig. 4).**

**CAUTION! Risk of damage to the installation if the delivered material is to be installed at a later date, store it in a dry place and protect it from impacts and any external influences (humidity, frost etc.).**

**Temperature range for transport and storage: -30 °C to +60 °C**

Handle the product with care so as not to damage it prior to installation.



## 4 Intended use

The key function of the pressure-boosting system is to ensure that a mains water supply with insufficient or no pressure is pressurised and remains pressurised. The speed variators integrated into the pumps and the integrated electronic control system enable the mains to be kept at a constant pressure no matter the flow rate.

It is used for:

- Drinking water supply systems, particularly in high-rise apartment buildings, hospitals, industrial and administrative buildings and fulfils the following standards and directives relating to design, function and requirements:
  - DIN 1988 (for Germany)
  - DIN 2000 (for Germany)
  - EU Directive 98/83/EC
  - Drinking Water Directive – TrinkwV2001 (for Germany)
- Industrial water supply and cooling systems
- Irrigation and sprinkling systems



The water supply to the pressure-boosting system may be taken from the municipal water supply or from a replenishment reservoir. Automatic control pressure-boosting systems supplied from the public drinking water mains are either directly (direct connection) or indirectly (indirect connection) fed via a break tank. These break tanks are closed and not pressurised, i.e. they are not pressurised atmospherically.

## 5 Technical information

### 5.1 Type key

COR-3 MHIE 403/MS	
COR	Name of pressure-boosting system
3	Number of pumps
MHIE	Pump type
403	Rated flow rate and number of stages (4 m <sup>3</sup> /h, 3 stages)
MS	Operation per control card

### 5.2 Technical data

- Max. operating pressure: 10 bar
  - Permissible fluid temperature: from 3 to 50 °C
  - Permissible ambient temperature: from 5 to 40 °C
  - Supply voltage: 3~ 400 V ±10 %
  - Frequency: 50 or 60 Hz
- Ensure that the general installation complies with safety standard NF-C 15-100.

### 5.3 Delivery

It is crucial, prior to installation, to be aware of all main components that make up the pressure-boosting system.

See the pressure-boosting system illustration in Fig. 1:

1. Switchgear and protection control
2. Integrated frequency converter to control the speed of the MHIE pump
3. MHIE variable-speed horizontal pump
4. Suction manifold
5. Discharge manifold
6. Pressure sensor
7. Baseplate for support and fixation
8. Pressure gauge
9. Pressure tank



#### NOTICE:

Each pump is equipped with suction-side gate valves, non-return valves and discharge valves. See the control card illustration in Fig. 2 & 3:

1. Electronic control card
2. Integrated frequency converter to control the speed of the MHIE pump
3. Switch for selecting the number of pumps
4. Adjustable resistor
5. Adhesive supports

### 5.4 Accessories

The following accessories are available for purchase:

- Gate valves
- Vibration damping hoses
- Pressure reducer
- Pressure tank
- Foot valve strainer

Accessories must be ordered separately and must be installed on the system.

## 6 Description and function

### 6.1 Description

The pressure-boosting system is supplied with its pipework ready for connection. The customer must connect the suction and discharge manifolds correctly.

The customer must also connect the switchgear to the mains power supply.

When making the connection to the municipal water supply, regulations and currently valid standards must be observed and, as necessary, fulfilled pursuant to the regulations of water distribution companies.

In addition, local specificities must be taken into account: for example, if the suction pressure is too high or variable, a pressure reducer must be installed.

### 6.2 Operation

The pressure-boosting system is equipped with non self-priming high-pressure multistage centrifugal pumps.

The pumps increase the pressure and transport the water to the consumer by means of the discharge manifold. In addition, they are activated/deactivated or controlled according to the pressure rating. Due to the pressure sensor, the actual pressure rating value is continuously measured, converted into a current signal and then transmitted to the control card.

The pumps are activated, added and deactivated as required by means of the control card. A pump's speed is modified up to the point at which the set control parameters are reached.

The pump initiated first is called the main pump. All the other pumps required for reaching the system's duty point are called peak-load pumps. To configure the drinking water supply system according to DIN 1988, a standby pump must be provided, so that there is always a pump on standby in the event of max. circulation. In order to ensure balanced operation of all the pumps, constant controlled duty cycling of the pumps takes place, i.e. the commissioning sequence and the deployment of the primary load, topping-up and standby pump functions change regularly. The control card enables automatic duty cycling around every 200 minutes in order to distribute the operation hours for each pump.

The diaphragm pressure vessel (total capacity ca. 8 litres) produces a buffer effect on the pressure sensor and prevents all oscillation behaviour of the control at the point of commissioning and decommissioning the system. It also enables a low extraction of water (for example, in the event of the smallest leakage) from the available storage volume without activating the main pump. This reduces the pumps' switching frequency and stabilises the pressure-boosting system's operation status.

## 7 Installation and connection

### 7.1 Delivery and installation

Unwrap the product and remove the packaging in an environmentally responsible manner.

Install the pressure-boosting system in an easily accessible room, which is well ventilated and is insulated against frost. Access routes to the room must be kept clear of obstructions.

The pressure-boosting system's design enables floor-mounted installation on a flat concrete surface. As the baseplate is placed on height-adjustable vibration absorbers, the installation is already equipped with insulation against sound transmission.

If the system is to be further fixed to the ground on-site, appropriate measures must be taken to prevent the transmission of sound through such structures.

### 7.2 Electrical connection



#### **WARNING! Risk of electrical shock!**

**Electrical connection must be performed by an electrician approved by the local energy supplier and in accordance with current local regulations.**

When making the electrical connection, it is crucial that the corresponding installation and operating instructions and the circuit diagram supplied with the switchgear are referred to accordingly. In general, the following aspects must be observed:

- The mains connection voltage must correspond to the characteristics detailed on the rating plate and the wiring diagram for the switchgear,
- The electrical connection cable for the switchgear must be correctly dimensioned in terms of the total power of the pressure-boosting system (see the rating plate and the technical data),
- The pressure-boosting system must be earthed in accordance with regulations (i.e. in accordance with local regulations and conditions); the connections for this purpose are marked accordingly (also see the wiring diagram).



#### **NOTICE:**

Do not forget to connect the baseplate of the pressure-boosting system to the ground where the system is installed.

### 7.3 Hydraulic connection

For connection to the municipal water mains, the relevant local water supply companies' requirements must be observed.

The system may only be connected after all the welding and soldering work has been carried out and after the (mandatory) flushing and (optional) disinfection of the hydraulics circuit and the supplied pressure-boosting system.

It is absolutely imperative for the voltage to be cut while the onsite pipework is being installed. It is advisable to use length-limiting compensators or flexible connection lines for this to prevent the rigid connections from deforming and to reduce the transfer of system vibrations to the building. In order to prevent the transmission of structure-borne sounds to the housing, the pipe attachments must not be fitted to the pressure-boosting system's pipework.

The connection is made according to the local conditions either to the right or left of the system. The openings that are not used are then blocked using the plugs supplied.

Keep the resistor at the flow of the suction line as low as possible (in other words: a short line, few bends and sufficiently large gate valves), otherwise the protection against low water level may be triggered during high pressure losses or high output volumes (take the pump's NPSH into account and avoid pressure losses and cavitation).

The suction and discharge manifolds can be connected either to the left or the right.

Before connecting the pressure-boosting system, fit valves to the 2 collector tanks to isolate them when performing work on the system.

#### **CAUTION!**

- **If the pressure-boosting system is connected to a pressurised municipal water supply, ensure that the system can withstand the maximum pump pressure at zero flow rate plus the pressure of the municipal water supply. If this is not the case, a pressure reducer must be fitted to the output of the pressure-boosting system.**
- **We strongly recommend installation of a differential pressure control device on the water inlet pipe to avoid pressure fluctuations at the input to the pressure-boosting system.**

If the pressure-boosting system is in suction mode in a replenishment reservoir, the friction losses must not exceed the pumps' maximum suction capacity.

It is advisable to use a foot valve with piping of equal or greater dimensions than the nominal diameter of piping on the suction side.

The system must always be equipped with a pressure tank.

## 8 Commissioning/decommissioning

We recommend that you arrange for initial commissioning of your pressure-boosting system to be conducted by your closest Wilo customer service agent or simply contact Wilo central customer service.

### 8.1 General preparations and control measures

- Prior to initial commissioning, check the wiring installed by the customer, in particular the earth connection;
- Check the source of the water supply (sufficiently full replenishment reservoir or appropriate municipal water supply);
- Fill the system and ensure its impermeability by conducting a visual inspection;
- Open the gate valves on the pumps and in the suction and discharge pipes;
- Open the stoppers in the pumps' ventilation system and slowly fill the pumps with water so as to allow the air to escape entirely.



**CAUTION! Risk of damage to the installation!**  
**Never let the pump run dry. Dry running destroys the mechanical seal and causes the motor to overload.**

- Pressurise the diaphragm pressure vessel. The vessel's inflating pressure must be 0.3 bar below the pressure that activates the pumps.



**DANGER!**

**Do not exceed the tank's maximum pre-inflation value.**

- Check the pumps' direction of rotation: on a short start-up, check whether the pumps' direction of rotation corresponds to the arrow situated on the pump housing. If the direction of rotation is incorrect, swap two phases.



**DANGER! Risk of electrical shock!**

**Before swapping the phases, cut the power supply using the system's main on/off switch.**

- On the switchgear, check and adjust the required service parameters in accordance with the installation and operating instructions supplied.

### 8.2 Commissioning the system

After completing all preparatory work and performing all checks detailed in Section 8.1, engage the main on/off switch.

The pressure sensor measures the available pressure and sends the corresponding electronic signal to the control device.

If the pressure is lower than the set start-up pressure, this activates the primary pump according to the set parameters and control type and possibly the peak-load pump(s) until the consumer's pipe network is filled with water and the adjusted pressure is reached.

### Adjustment

Set the card's adjustable resistor using a screwdriver (Fig. 3, pos. 4) to obtain the desired pressure level (read the settings on the variators' displays).

NOTE:

Offsetting of the set point values by around 5% between each variator is completely normal.

**CAUTION!**

**Do not allow the pump to operate for more than one minute with the discharge valve closed.**



### 8.3 Decommissioning the system

If the pressure-boosting system must be decommissioned to allow for maintenance and repair work or the like to be completed, proceed as follows:

- Switch off the main on/off switch and ensure that the system cannot be reactivated by unauthorised persons.
- Close the gate valves before and after installation.
- Isolate and drain the diaphragm pressure vessel.
- If necessary, drain the system entirely.

## 9 Maintenance

Maintenance and repair work must only be carried out by qualified personnel!

**DANGER! Risk of fatal injury!**

**In case of work on electrical devices, there is a danger of death by electrocution.**

**Before performing any maintenance or repair work, disconnect the device or system from the power supply and make sure it cannot be reactivated by unauthorised persons. In general, only a qualified electrician/engineer should be allowed to repair damaged connecting cables.**

To ensure optimal operational reliability and to keep operating costs at a minimum, it is advisable to conduct inspections and maintenance of the pressure-boosting system on a regular basis (refer to standard DIN 1988). To do so, the best solution is to subcontract maintenance work to a specialist firm or our customer service.

The following inspections must be conducted on a regular basis:

- Check that the pressure-boosting system is in good working order.
- Check the pumps' mechanical seals. The mechanical seals use water for lubrication, small quantities of which may therefore leak from the gasket. In case of more substantial leakage, the mechanical seal must be replaced.
- Check (ideally every 3 months) that the diaphragm pressure vessel is kept at the correct pressure for initial compressing and that it is impermeable.





**CAUTION! Risk of damage to the installation!**

**If the initial compressing pressure is poor, the functioning of the diaphragm pressure vessel cannot be ensured. This may lead to excessive wear of the diaphragm and technical failures.**

With regards to pressure-boosting systems with frequency converters, the input and output filters on the fan must be cleaned as soon as they become significantly clogged.

When decommissioning the system for a long period, proceed as described in Section 8.3 and drain all pumps by opening the drain plugs at the foot of the pump.

**10 Faults, causes and remedies**

Troubleshooting, particularly of problems relating to the pumps and switchgear, must be performed exclusively by a Wilo customer service agent or a specialist firm.



NOTICE:

When carrying out all maintenance and repair work, it is crucial that the general safety instructions are observed! It is also important to follow the installation and operating instructions for the pumps and switchgear!



**DANGER! Risk of fatal injury!**

**Only specialist and appropriately qualified personnel may perform troubleshooting!**

**Observe the safety instructions in Section 9.**

Fault	Cause	Remedies
At least one of the two pumps does not start	Air intake on suction side	Check the impermeability of all connections in the suction pipework. Check that the suction strainer is properly submerged in water.
	Foot valve strainer is permeable or obstructed	Check the impermeability of the valve and replace it if necessary.
	Significant friction losses on the suction side	Check the friction losses and make sure that they are compatible with the NPSH of the pumps.
	Municipal water supply pressure too low or zero	Adjust the system to supply the pressure-boosting system from a replenishment reservoir.
	Negative suction head over reservoir too great	Ensure that the minimum level of the reservoir is compatible with the pumps' NPSH.
	Suction pipework obstructed or valve on suction manifold closed	Check that the valve is open and clean pipework if necessary.
One pump does not start	Thermal motor protection activated	The pump "malfunction" warning light on the switchgear must be illuminated. Check the thermal motor protection settings and reset.
	Magnetic circuit breaker activated	Check that the motor phases have not short-circuited. Replace the motor if necessary. Reset the circuit breaker.
	Pump shaft blocked	Disconnect the switchgear power supply, then check that the pump shaft turns freely. If it is blocked, proceed to dismantle the pump.
	Winding malfunction	Disconnect the terminal of the motor concerned and check the resistor at the terminals and the stator's insulation to earth. Replace the motor if necessary.
No pressure on the discharge side	At least one of the pumps is deactivated	See the preceding section, fault "At least one of the two pumps does not start".
	Municipal water supply pressure below minimum prescribed pressure	Contact the local water supplier or replace the pressure-boosting system. Contact us.
	One pump is obstructed by foreign bodies	Dismantle and clean the pump.
	The motors are supplied by insufficient power supply voltage	Check the voltage and the connection to motor terminals.
Random operation, pumps start frequently	Pressure sensor is defective	Check settings: if sensor is unstable, it must be replaced.
	Insufficient system capacity (or tank of insufficient capacity)	Install an additional storage tank or replace with a tank that has greater capacity.
	Tank pre-inflation level does not conform	Proceed to inflate the tank.
	Water storage vessel pierced	Replace the vessel.

Fault	Cause	Remedies
The low-water protection activates frequently	Low water cut-out switch is set too high	Adjust and correct the cut-out switch settings.
	Municipal water supply pressure drops when pumps activate	Adjust the low water cut-out switch to a minimum. If the issue persists, the municipal water supply is insufficient; check the pressure gauge reading when the pumps start up or consult the municipal water supplier.
Automated operation defective	Switchgear defective	Consult the switchgear instructions.
	Sensor defective	Check the contacts; replace the sensor in question if necessary.
	Wires disconnected	Check all connections to the switchgear terminal switch.
Discharge valve not sealed	Valve diaphragm or gasket is destroyed	Replace the valves.
The pressure-boosting system does not stop or does not start	Pressure sensor gate valve is closed	Open the pressure sensor gate valve.

If the fault cannot be remedied, please consult a specialist technician or your closest Wilo customer service agent.

### 11 Spare parts

Spare parts may be ordered or repair work arranged via a specialist retailer and/or Wilo customer service.

To avoid queries and incorrect orders, all data on the rating plate should be submitted with each order.

### 12 Disposal



Lawful disposal and appropriate recycling of this product prevents damage to the environment and risks to health. Disposal in accordance with regulations requires draining, cleaning and dismantling of the motor pump unit. Lubricants must be collected. The components of the pressure-boosting system must be sorted according to materials (metal, plastic and electronics).

1. To dispose of the product and its components, you should contact public or private waste disposal companies.
2. For further information regarding proper disposal of the product, contact your local authority, waste collection and treatment service or the product's original point of sale.

For more information, visit [www.wilo.com](http://www.wilo.com)

**Subject to technical modifications!**

<b>1</b>	<b>Généralités</b>	<b>15</b>
1.1	A propos de ce document	15
<b>2</b>	<b>Sécurité</b>	<b>15</b>
2.1	Signalisation des consignes de la notice	15
2.2	Qualification du personnel	15
2.3	Dangers encourus en cas de non-observation des consignes	15
2.4	Travaux dans le respect de la sécurité	15
2.5	Consignes de sécurité pour l'utilisateur	15
2.6	Consignes de sécurité pour les travaux de montage et d'entretien	16
2.7	Modification du matériel et utilisation de pièces détachées non agréées	16
2.8	Modes d'utilisation non autorisés	16
<b>3</b>	<b>Transport et entreposage</b>	<b>16</b>
<b>4</b>	<b>Applications</b>	<b>16</b>
<b>5</b>	<b>Données techniques</b>	<b>17</b>
5.1	Désignation	17
5.2	Caractéristiques techniques	17
5.3	Fourniture	17
5.4	Accessoires	17
<b>6</b>	<b>Description et fonctionnement</b>	<b>17</b>
6.1	Description	17
6.2	Fonctionnement	17
<b>7</b>	<b>Installation et raccordement</b>	<b>18</b>
7.1	Réception et montage	18
7.2	Raccordement électrique	18
7.3	Raccordement hydraulique	18
<b>8</b>	<b>Mise en service/mise hors service</b>	<b>19</b>
8.1	Préparatifs généraux et mesures de contrôle	19
8.2	Mise en service de l'installation	19
8.3	Mise hors service de l'installation	19
<b>9</b>	<b>Entretien</b>	<b>19</b>
<b>10</b>	<b>Pannes, causes et remèdes</b>	<b>20</b>
<b>11</b>	<b>Pièces de rechange</b>	<b>21</b>
<b>12</b>	<b>Elimination</b>	<b>21</b>

## 1 Généralités

### 1.1 A propos de ce document

La langue de la notice de montage et de mise en service d'origine est le français. Toutes les autres langues de la présente notice sont une traduction de la notice de montage et de mise en service d'origine.

La notice de montage et de mise en service fait partie intégrante du matériel et doit être disponible en permanence à proximité du produit. Le strict respect de ces instructions est une condition nécessaire à l'installation et à l'utilisation conformes du produit.

La rédaction de la notice de montage et de mise en service correspond à la version du produit et aux normes de sécurité en vigueur à la date de son impression.

Une copie de la déclaration de conformité CE fait partie intégrante de la présente notice de montage et de mise en service.

Toute modification technique des modèles cités sans notre autorisation préalable ou le non-respect des consignes de cette notice de montage et de mise en service relatives à la sécurité du produit/du personnel rend cette déclaration caduque.

## 2 Sécurité

La présente notice de montage et de mise en service renferme des consignes essentielles qui doivent être respectées lors du montage, du fonctionnement et de l'entretien. Ainsi, il est indispensable que l'installateur et le personnel qualifié/l'opérateur du produit en prennent connaissance avant de procéder au montage et à la mise en service.

Les consignes à respecter ne sont pas uniquement celles de sécurité générale de ce chapitre, mais aussi celles de sécurité particulière qui figurent dans les chapitres suivants, accompagnées d'un symbole de danger.

### 2.1 Signalisation des consignes de la notice

#### Symboles :

**Symbole général de danger**



**Dangers dus à la tension électrique**



AVIS : ...



#### Signaux :

**DANGER !**

**Situation extrêmement dangereuse.**

**Le non-respect entraîne la mort ou des blessures graves.**

**AVERTISSEMENT !**

**L'utilisateur peut souffrir de blessures (graves).**

**« Avertissement » implique que des dommages corporels (graves) sont vraisemblables lorsque la consigne n'est pas respectée.**

### ATTENTION !

**Il existe un risque d'endommager le produit/l'installation. « Attention » signale une consigne dont la non-observation peut engendrer un dommage pour le matériel et son fonctionnement.**

AVIS :

Avis utile sur le maniement du produit. Il attire également l'attention sur des difficultés éventuelles.

Les indications directement appliquées sur le produit comme par exemple :

- Le symbole relatif au sens d'écoulement/sens de rotation,
  - Les marques d'identification des raccordements,
  - La plaque signalétique,
  - Les autocollants d'avertissements,
- doivent être impérativement respectés et maintenues dans un état bien lisible.

### 2.2 Qualification du personnel

Il convient de veiller à la qualification du personnel amené à réaliser le montage, la commande et l'entretien. L'opérateur doit assurer le domaine de responsabilité, la compétence et la surveillance du personnel. Si le personnel ne dispose pas des connaissances requises, il doit alors être formé et instruit en conséquence. Cette formation peut être dispensée, si nécessaire, par le fabricant du produit pour le compte de l'opérateur.

### 2.3 Dangers encourus en cas de non-observation des consignes

La non-observation des consignes de sécurité peut constituer un danger pour les personnes, l'environnement et le produit/l'installation. Elle entraîne également la suspension de tout recours en garantie. Plus précisément, les dangers peuvent être les suivants :

- Dangers pour les personnes par influences électriques, mécaniques ou bactériologiques.
- Dangers pour l'environnement par fuite de matières dangereuses.
- Dommages matériels.
- Défaillance de fonctions importantes du produit ou de l'installation.
- Défaillance du processus d'entretien et de réparation prescrit.

### 2.4 Travaux dans le respect de la sécurité

Les consignes de sécurité énoncées dans cette notice de montage et de mise en service, les règlements nationaux existants de prévention des accidents et les éventuelles consignes de travail, de fonctionnement et de sécurité internes de l'exploitant doivent être respectés.

### 2.5 Consignes de sécurité pour l'utilisateur

Cet appareil n'est pas prévu pour être utilisé par des personnes (y compris des enfants) dont les capacités physiques, sensorielles ou mentales

sont réduites, ou des personnes dénuées d'expérience ou de connaissance, sauf si elles ont pu bénéficier, par l'intermédiaire d'une personne responsable de leur sécurité, d'une surveillance ou d'instructions préalables concernant l'utilisation de l'appareil.

Il convient de surveiller les enfants pour s'assurer qu'ils ne jouent pas avec l'appareil.

- Si des composants chauds ou froids induisent des dangers sur le produit ou l'installation, il incombe alors au client de protéger ces composants afin d'éviter tout contact.
- La protection de contact pour des composants en mouvement (p. ex. accouplement) ne doit pas être retirée du produit en fonctionnement.
- Les fuites (p. ex. garniture d'étanchéité d'arbre) de fluides dangereux (p. ex. explosifs, toxiques, chauds) doivent être éliminées de telle façon qu'il n'y ait aucun risque pour les personnes et l'environnement. Les dispositions nationales légales doivent être respectées.
- Les matériaux facilement inflammables doivent en principe être tenus à distance du produit.
- Il y a également lieu d'exclure tout danger lié à l'énergie électrique. On se conformera aux dispositions de la réglementation locale ou générale [IEC, VDE, etc.], ainsi qu'aux prescriptions du fournisseur d'énergie.

## 2.6 Consignes de sécurité pour les travaux de montage et d'entretien

L'opérateur est tenu de veiller à ce que tous les travaux d'entretien et de montage soient effectués par du personnel agréé, qualifié et suffisamment informé, suite à l'étude minutieuse de la notice de montage et de mise en service.

Les travaux réalisés sur le produit ou l'installation ne doivent avoir lieu que si les appareillages correspondants sont à l'arrêt. Les procédures décrites dans la notice de montage et de mise en service pour l'arrêt du produit/de l'installation doivent être impérativement respectées.

Tous les dispositifs de sécurité et de protection doivent être remis en place et en service immédiatement après l'achèvement des travaux.

## 2.7 Modification du matériel et utilisation de pièces détachées non agréées

La modification du matériel et l'utilisation de pièces détachées non agréées compromettent la sécurité du produit/du personnel et rendent caduques les explications données par le fabricant concernant la sécurité.

Toute modification du produit ne peut être effectuée que moyennant l'autorisation préalable du fabricant. L'utilisation de pièces détachées d'origine et d'accessoires autorisés par le fabricant garantit la sécurité.

L'utilisation d'autres pièces dégage la société de toute responsabilité.

## 2.8 Modes d'utilisation non autorisés

La sécurité de fonctionnement du produit livré n'est garantie que si les prescriptions précisées au chapitre 4 de la notice de montage et de mise en service sont respectées. Les valeurs limites indiquées dans le catalogue ou la fiche technique ne doivent en aucun cas être dépassées, tant en maximum qu'en minimum.

## 3 Transport et entreposage

Lors de la réception du matériel, vérifier qu'il n'a pas subi de dommages durant le transport. En cas de défaut constaté, prendre toutes les mesures nécessaires avec le transporteur dans les temps impartis.

Le surpresseur est livré sur une palette, il est protégé de l'humidité et de la poussière par une housse plastique transparente.

Les consignes de transport et de stockage figurant sur l'emballage doivent être respectées.

Le transport doit être réalisé à l'aide d'un outil de levage adapté à la charge.

### AVERTISSEMENT !

**La stabilité statique de l'appareil doit absolument être prise en compte car, en raison de la construction même des pompes, il existe un décalage du centre de gravité vers la partie supérieure.**

**La manipulation doit être effectuée par un personnel qualifié et un matériel adapté et autorisé. Les sangles de manutention doivent être attachées aux anneaux de levage prévus à cet effet, ou placées autour du châssis en acier.**

**Les collecteurs ne sont pas adaptés pour la manutention du surpresseur et ne doivent en aucun cas être utilisés comme point d'accroche. Des autocollants apposés sur les collecteurs rappellent ces consignes (Fig. 4)**

**ATTENTION ! Risque de préjudices ou de dommages**

**Si le matériel livré doit être installé ultérieurement, le stocker dans un endroit sec et le protéger des chocs et de toute agression extérieure (humidité, gel, etc).**

**Plage de températures de transport et stockage : -30°C à +60°C**

Manipuler le produit avec soin de manière à ne pas l'endommager avant l'installation.

## 4 Applications

Le surpresseur a pour fonction essentielle d'assurer la mise et le maintien sous pression d'un réseau de distribution d'eau à pression insuffisante ou inexistante. Les variateurs de vitesse intégrés aux pompes et le système de régulation électronique intégré permettent d'obtenir une pression constante sur le réseau quel que soit le débit.

Il est utilisé comme :

- Installations d'approvisionnement en eau potable, en particulier dans les immeubles d'habitation hauts, les hôpitaux, les bâtiments industriels et





administratifs et remplissent les normes et directives de construction, fonction et exigences suivantes :

- DIN1988 (pour l'Allemagne)
- DIN2000 (pour l'Allemagne)
- Directive UE 98/83/CE,
- Règlement sur l'eau potable – TrinkwV2001 (pour l'Allemagne)
- Systèmes industriels de distribution d'eau et de refroidissement,
- Systèmes d'irrigation et d'arrosage.

L'alimentation en eau du surpresseur est possible en charge à partir du réseau eau de ville ou à partir d'une bache de stockage.

Les groupes de surpression à régulation automatique alimentés à partir du réseau d'eau potable public le sont soit directement (raccordement direct) ou indirectement (raccordement indirect) via un réservoir de stockage. Ces réservoirs de stockage sont fermés et sans pression, c.-à-d. qu'ils ne sont que sous pression atmosphérique.

## 5 Données techniques

### 5.1 Désignation

COR-3 MHIE 403/MS	
COR	Nom du surpresseur
3	Nombre de pompes
MHIE	Type de pompes
403	Débit nominal et nombre d'étages (4m <sup>3</sup> /h 3 étages)
MS	Commande par carte de régulation

### 5.2 Caractéristiques techniques

- Pression de service max. : 10 bars
  - Température du fluide admissible : de 3 à 50°C
  - Température ambiante admissible : de 5 à 40°C
  - Tension d'alimentation : TRI 400V ±10%
  - Fréquence : 50 ou 60Hz
- S'assurer que l'installation générale est conforme à la norme NF-C 15-100.

### 5.3 Fourniture

Avant installation, il est indispensable de bien prendre connaissance de tous les éléments composant le surpresseur.

Voir le descriptif du surpresseur sur la figure 1 :

1. Coffret de commande et de protection
2. Convertisseur de fréquence intégré pour régulation de la vitesse de la pompe MHIE
3. Pompe horizontale à variation de vitesse MHIE
4. Collecteur d'aspiration
5. Collecteur de refoulement
6. Capteur de pression
7. Châssis support et de fixation
8. Manomètre
9. Réservoir à vessie



### AVIS :

Chaque pompe est équipée de vannes d'isolement à l'aspiration, de clapets anti-retour et de vannes au refoulement.

Voir le descriptif de la carte de régulation sur les figures 2 & 3 :

1. Carte électronique de régulation
2. Convertisseur de fréquence intégré pour régulation de la vitesse de la pompe MHIE
3. Interrupteur de sélection du nombre de pompes
4. Résistance ajustable
5. Supports adhésifs

### 5.4 Accessoires

Les accessoires suivants sont disponibles à la vente :

- Vannes d'isolement
- Manchettes antivibratiles
- Réducteur de pression
- Réservoir à vessie
- Clapet de pied de crépine

Les accessoires doivent être commandés séparément et devront être assemblés sur le système.

## 6 Description et fonctionnement

### 6.1 Description

Le surpresseur est livré avec sa tuyauterie prête à être raccordée. Le client doit prévoir le raccordement des collecteurs d'aspiration et de refoulement.

Le client doit également prévoir le raccordement du coffret au réseau électrique.

Pour le raccordement au réseau public de distribution d'eau, il convient de respecter les réglementations ou les normes en vigueur, complétées éventuellement par les prescriptions des entreprises de distribution d'eau.

Par ailleurs, les particularités locales doivent être prises en compte (par exemple une pression d'aspiration trop élevée ou variable, exigeant éventuellement le montage d'un réducteur de pression).

### 6.2 Fonctionnement

Le surpresseur est équipé de pompes centrifuges haute pression multicellulaires non auto-amorçantes.

Les pompes augmentent la pression et transportent l'eau vers le consommateur par l'intermédiaire du collecteur de refoulement. En outre, elles sont activées/désactivées ou régulées en fonction de la pression. Grâce au capteur de pression, la valeur réelle de la pression est mesurée en continu, convertie en un signal de courant, puis transmise à la carte de régulation.

Grâce à la carte de régulation, les pompes sont activées, ajoutées, désactivées en fonction des besoins. La vitesse de rotation d'une pompe est modifiée jusqu'à ce que les paramètres de régulation réglés soient atteints.

La pompe amorcée en premier est appelée pompe principale. Toutes les autres pompes nécessaires pour atteindre le point de fonctionnement de l'installation sont appelées pompes d'appoint. Pour un dimensionnement de l'installation en distribution d'eau potable conforme DIN 1988, il faut prévoir une pompe de réserve, c'est à dire qu'en cas de tirage max., il reste encore une pompe en attente. Pour assurer une exploitation équilibrée de toutes les pompes, une permutation constante des pompes a lieu par régulation, c'est à dire que la succession de mise en service et l'affectation des fonctions de charge de base, d'appoint ou de pompe de réserve varient régulièrement. La carte de régulation permet la permutation automatique environ toutes les 200 minutes, afin de répartir les heures de fonctionnement de chaque pompe.

Le réservoir sous pression à membrane (capacité totale env. 8 litres) produit un effet tampon sur le capteur de pression et évite tout comportement oscillatoire de la régulation au moment de la mise en service et hors service de l'installation. Il permet également d'effectuer un faible prélèvement d'eau (par exemple en cas de petites fuites) dans le volume de stockage disponible, sans mise en marche de la pompe principale. Ceci réduit le nombre de démarrages des pompes et stabilise l'état de fonctionnement du groupe de surpression.

## 7 Installation et raccordement

### 7.1 Réception et montage

Déballer le produit et retraiter l'emballage en veillant au respect de l'environnement.

Installer le surpresseur dans un local accessible, normalement aéré et protégé du gel. Les accès au local doivent rester dégagés.

La construction du surpresseur autorise une installation sur sol bétonné plat. Le châssis étant placé sur amortisseurs de vibration réglables en hauteur, il existe déjà une isolation contre la transmission des bruits.

En cas de fixation supplémentaire au sol, réalisée sur site, il convient de prendre les mesures appropriées pour empêcher la transmission des bruits de structure.

### 7.2 Raccordement électrique



**AVERTISSEMENT ! Risque de choc électrique !**  
**Le raccordement électrique doit être confié à un électricien habilité par le fournisseur local d'énergie électrique et exécuté conformément aux réglementations locales en vigueur.**

Pour le raccordement électrique, il est impératif de considérer la notice de montage et de mise en service correspondante ainsi que le schéma électrique fourni avec le coffret de commande.

D'une manière générale, les points à respecter sont les suivants :

- La tension de l'alimentation réseau doit correspondre aux caractéristiques fournies sur la plaque signalétique et sur le schéma de raccordement électrique du coffret de commande,
- Le câble de raccordement électrique au coffret doit être correctement dimensionné en fonction de la puissance totale du surpresseur (voir la plaque signalétique et les données techniques),
- Le surpresseur doit être mis à la terre conformément aux prescriptions (c'est-à-dire conformément aux prescriptions et conditions locales) ; les raccords prévus à cet effet sont signalés en conséquence (voir aussi le schéma de raccordement électrique).



AVIS :

Ne pas oublier de raccorder le châssis du surpresseur à la terre de l'installation.

### 7.3 Raccordement hydraulique

Pour le raccordement sur le réseau d'eau de ville, il convient de respecter les exigences des entreprises de distribution d'eau compétentes au niveau local.

Le raccordement de l'installation ne peut avoir lieu qu'après l'exécution de tous les travaux de soudure et de brasage et après le rinçage (obligatoire) et la désinfection (éventuelle) du circuit hydraulique et du groupe de surpression livré.

Les tuyauteries présentes sur site doivent absolument être installées sans aucune tension. Pour cela, il est conseillé d'utiliser des compensateurs à limitation de longueur ou des lignes de raccordement flexibles pour empêcher la déformation des connexions rigides et réduire la transmission des vibrations de l'installation en direction du bâtiment. Afin d'empêcher la transmission des bruits de structure en direction du corps, les attaches des tuyauteries ne doivent pas être fixées aux tuyauteries du groupe de surpression.

Le raccordement se fait selon les conditions locales soit à droite ou à gauche de l'installation. Les orifices non utilisés seront obstrués par les bouchons fournis.

Garder la résistance au flux de la conduite d'aspiration aussi faible que possible (autrement dit : conduite courte, peu de coudes, vannes d'arrêt suffisamment grandes), sinon la protection contre le manque d'eau peut se déclencher lors des pertes de pression élevées ou de grands débits volumes (tenir compte de la valeur de pression de retenue de la pompe, éviter les pertes de pression et les cavitations).

Le raccordement des collecteurs d'aspiration et de refoulement peut être réalisé indifféremment à droite ou à gauche.

Avant de raccorder le surpresseur, prévoir des vannes sur les 2 collecteurs pour l'isoler en cas d'intervention.

**ATTENTION !**

- **Si le surpresseur est raccordé sur un réseau sous pression d'eau de ville, s'assurer que l'installation peut supporter la pression maxi de la pompe à débit nul, augmentée de la pression du réseau**



d'eau de ville. Dans le cas contraire, raccorder un réducteur de pression à la sortie du surpresseur.

- **Nous recommandons vivement d'installer un détendeur-régulateur de pression sur la conduite d'arrivée d'eau pour éviter toutes variations de pression à l'entrée du surpresseur.**

Si le surpresseur est en aspiration dans une bache, les pertes de charge ne doivent pas dépasser la capacité d'aspiration des pompes.

Il est conseillé d'utiliser un clapet de pied avec une tuyauterie de dimension au moins égale ou supérieure au diamètre nominal d'aspiration.

L'installation doit toujours être équipée d'un réservoir à vessie.

## 8 Mise en service/mise hors service

Il est conseillé de confier la première mise en service du surpresseur à un agent du service après-vente Wilo le plus proche ou tout simplement à la centrale de service après-vente Wilo.

### 8.1 Préparatifs généraux et mesures de contrôle

- Avant la première mise en service, contrôler le câblage réalisé par le client, en particulier la mise à la terre ;
- Vérifier la source d'approvisionnement en eau (bâche suffisamment remplie ou alimentation d'eau de ville correcte) ;
- Remplir l'installation et s'assurer de son étanchéité par un contrôle visuel ;
- Ouvrir les vannes d'isolement au niveau des pompes et dans la conduite d'aspiration et de refoulement ;
- Ouvrir les bouchons de purge d'air des pompes et remplir lentement les pompes d'eau afin que l'air puisse s'échapper entièrement ;



**ATTENTION ! Risque de dommages matériels ! Ne jamais laisser une pompe fonctionner à sec. Une marche à sec détruit la garniture mécanique et entraîne une surcharge du moteur.**

- Mettre le réservoir à membrane sous pression, la pression de gonflage du réservoir doit être inférieure de 0,3 bar à la pression d'enclenchement des pompes.



**DANGER ! Ne pas dépasser la valeur maximum de pré-gonflage du réservoir.**

- Contrôler le sens de rotation des pompes : à l'occasion d'une brève mise en marche, vérifier si le sens de rotation des pompes correspond à la flèche située sur le corps de pompe. Si le sens de rotation est incorrect, intervertir deux phases.



**DANGER ! Risque de choc électrique ! Avant d'interventer les phases, couper l'interrupteur principal de l'installation.**

- Sur le coffret de commande, contrôler et régler les paramètres de service requis, conformément à la notice de montage et de mise en service fournie.

### 8.2 Mise en service de l'installation

Après avoir exécuté tous les préparatifs et tous les contrôles mentionnés à la section 8.1, enclencher l'interrupteur principal.

Le capteur de pression mesure la pression disponible et envoie le signal électrique correspondant à l'appareil de régulation.

Si la pression est inférieure à la pression d'amorçage réglée, celui-ci active – en fonction des paramètres réglés et du type de régulation – la pompe de base et éventuellement la/les pompe(s) d'appoint jusqu'à ce que les tuyauteries des consommateurs soient remplies d'eau et que la pression réglée soit établie.

#### Réglage

A l'aide d'un tournevis, régler la résistance ajustable de la carte (Fig. 3, rep. 4) pour obtenir le niveau de pression souhaitée (lecture du réglage sur les afficheurs des variateurs).

NOTE :

Le décalage de consigne d'environ 5% entre chaque variateur est tout à fait normal.

#### ATTENTION !

**Ne pas laisser fonctionner la pompe, vanne de refoulement fermée, au-delà d'une minute.**



### 8.3 Mise hors service de l'installation

Si le surpresseur doit être mis hors service à des fins de maintenance, de réparation ou autre, il faut procéder de la façon suivante :

- Fermer l'interrupteur général et protéger l'installation contre tout ré-enclenchement intempestif.
- Fermer les vannes d'arrêt avant et après l'installation.
- Isoler et vidanger le réservoir sous pression à membrane.
- En cas de besoin, vidanger entièrement l'installation.

## 9 Entretien

Seul le personnel qualifié est habilité à effectuer les travaux d'entretien et de réparation !

**DANGER ! Danger de mort !**

**En cas de travaux sur les appareils électriques, danger de mort par électrocution.**

**Avant d'effectuer des travaux d'entretien et de réparation, il convient de mettre l'appareil/l'installation hors tension et de le/la protéger contre toute remise en marche intempestive. De manière générale, seul un électricien / installateur qualifié est habilité à réparer les câbles de raccordement endommagés.**

Pour une sécurité de fonctionnement optimale et des coûts d'exploitation les plus bas possibles, il est conseillé d'exécuter un contrôle et un entretien réguliers du groupe de surpression (se reporter à la norme DIN 1988). Pour cela, il est préférable de souscrire un contrat de maintenance auprès d'une entreprise spécialisée ou de notre service après-vente.



Les contrôles suivants doivent être exécutés régulièrement:

- Contrôle de l'ordre de marche du groupe de surpression
- Vérifier les garnitures mécaniques des pompes. Pour le graissage, les garnitures mécaniques utilisent de l'eau, susceptible de s'échapper en très faible quantité au niveau du joint. En cas d'échappement conséquent, la garniture mécanique doit être remplacée.
- Vérifier (tous les 3 mois, de préférence) si le réservoir sous pression à membrane est réglé sur la bonne pression de compression initiale et s'il est étanche.



**Attention ! Risque de dommages matériels !**  
**Lorsque la pression de compression initiale est mauvaise, la fonction du réservoir sous pression à membrane n'est pas garantie, ce qui peut provoquer une usure excessive de la membrane et des incidents techniques.**

Concernant les groupes de surpression avec convertisseur de fréquence, les filtres d'entrée et de sortie du ventilateur doivent être nettoyés dès que leur niveau d'encrassement est significatif.

Pour une mise hors service de longue durée, procéder comme indiqué à la section 8.3 et vidanger toutes les pompes en ouvrant les bouchons de vidange au niveau du pied de la pompe.

## 10 Pannes, causes et remèdes

L'élimination des pannes, tout particulièrement au niveau des pompes et du coffret de commande, doit être confiée exclusivement à un agent du service après-vente de Wilo ou d'une entreprise spécialisée.

AVIS:

Pour tous les travaux de maintenance et de réparation, il est impératif de respecter les consignes de sécurité générales ! Se conformer également à la notice de montage et de mise en service des pompes et du coffret de commande !

**Danger ! Danger de mort !**

**Seul un personnel spécialisé et qualifié peut procéder au dépannage !**

**Respecter les consignes de sécurité figurant au chapitre 9.**



Panne	Cause	Remède
Au moins une des deux pompes ne s'amorce pas	Prise d'air à l'aspiration	Contrôler l'étanchéité de tous les raccords de la tuyauterie d'aspiration. Vérifier si la crépine d'aspiration est bien recouverte d'eau
	Clapet de pied de crépine non étanche ou obstrué	Vérifier l'étanchéité du clapet, le remplacer si nécessaire
	Pertes de charge importantes à l'aspiration	Contrôler les pertes de charge et s'assurer qu'elles sont compatibles avec le NPSH des pompes
	Pression d'eau de ville insuffisante ou nulle	Modifier l'installation pour alimenter le surpresseur par une bâche
	Hauteur d'aspiration sur bâche trop importante	S'assurer que le niveau mini de la bâche est compatible avec le NPSH des pompes
	Tuyauterie d'aspiration obstruée ou vanne sur collecteur d'aspiration fermée	Vérifier l'ouverture de la vanne et nettoyer la tuyauterie si nécessaire
Une pompe ne fonctionne pas	Protection thermique déclenchée	Le voyant « défaut » pompe sur le coffret doit être allumé. Vérifier le réglage de la protection thermique et réarmer.
	Disjoncteur magnétique déclenché	Vérifier que les phases du moteur ne sont pas en court-circuit. Remplacer le moteur si nécessaire. Réarmer le disjoncteur.
	Arbre pompe bloqué	Couper l'alimentation électrique du coffret puis vérifier la libre rotation de l'arbre, si celui-ci est bloqué, procéder au démontage de la pompe.
	Défaut bobinage	Déconnecter le bornier du moteur concerné et contrôler la résistance aux bornes et l'isolement du stator par rapport à la terre. Remplacer le moteur si nécessaire.
Manque de pression au refoulement	Au moins une des pompes est désamorcée	Voir le chapitre précédent, panne « Au moins une des deux pompes ne s'amorce pas »
	Pression d'eau de ville inférieure à la pression minimum prévue	Action auprès du service des eaux ou remplacement du surpresseur. Nous consulter.
	Une pompe est obstruée par des corps étrangers	Démonter et nettoyer la pompe.
	Les moteurs sont alimentés par une tension réseau insuffisante	Vérifier la tension et le couplage aux bornes des moteurs.

Panne	Cause	Remède
Fonctionnement aléatoire, démarrage fréquent des pompes	Transmetteur de pression défectueux	Vérifier le réglage : instabilité du transmetteur, au besoin le changer.
	Manque de capacité de l'installation (ou réservoir de capacité insuffisante)	Installer un réservoir supplémentaire ou remplacer par un réservoir de plus grande capacité.
	Niveau du pré-gonflage réservoir non conforme	Procéder au gonflage du réservoir.
	Vessie du réservoir percée	Remplacer la vessie du réservoir.
Déclenchement fréquent de la sécurité manque d'eau	Pressostat manque d'eau réglé trop haut.	Procéder au réglage correct du pressostat.
	Chute de la pression d'eau de ville lors du démarrage des pompes.	Régler le pressostat manque d'eau au mini. Si le phénomène persiste, le réseau d'eau de ville est insuffisant ; contrôler la pression au manomètre pendant le démarrage des pompes, ou consulter le Service des Eaux.
Automatisme de fonctionnement défectueux	Coffret de commande défectueux	Voir la notice du coffret de commande.
	Transmetteur défectueux	Vérifier les contacts, changer le transmetteur concerné si nécessaire.
	Fils déconnectés	Contrôler toutes les connexions au bornier du coffret.
Clapet au refoulement non étanche	Membrane ou joint de clapet détruit	Remplacer les clapets
Non arrêt ou non démarrage du surpresseur	Vanne d'isolement du transmetteur de pression fermée	Ouvrir la vanne d'isolement du transmetteur de pression.

Si la panne ne peut pas être éliminée s'adresser à un spécialiste ou au point de service après-vente Wilo le plus proche.

### 11 Pièces de rechange

La commande de pièces de rechange ou les ordres de réparation sont réalisés par des techniciens spécialisés et/ou le service après-vente Wilo. Afin d'éviter toutes questions ou commandes erronées, indiquer toutes les données de la plaque signalétique lors de chaque commande.

### 12 Elimination



Une élimination réglementaire et un recyclage approprié de ce produit permettent de prévenir les dommages causés à l'environnement et les risques pour la santé. L'élimination conforme aux prescriptions requiert la vidange, le nettoyage et le démontage du groupe motopompe. Les lubrifiants doivent être collectés. Les composants du surpresseur doivent être triés selon les matériaux (métal, plastique, électronique).

1. Pour éliminer le produit ainsi que ses pièces, faire appel aux sociétés d'élimination de déchets privées ou publiques.
2. Pour de plus amples informations sur l'élimination appropriée du produit, s'adresser à la municipalité, au service de collecte et de traitement des déchets ou au point de vente où le produit a été acheté.

Plus d'information sur [www.wilo.fr](http://www.wilo.fr)

**Sous réserve de modifications techniques !**

<b>1</b>	<b>Algemeen</b>	<b>23</b>
1.1	Betreffende dit document	23
<b>2</b>	<b>Veiligheid</b>	<b>23</b>
2.1	Aanduiding van aanwijzingen in de bedieningsvoorschriften	23
2.2	Personeelskwalificaties	23
2.3	Gevaren bij de niet-naleving van de veiligheidsaanwijzingen	23
2.4	Veilig werken	23
2.5	Veiligheidsaanwijzingen voor de gebruiker	24
2.6	Veiligheidsvoorschriften voor montage- en onderhoudswerkzaamheden	24
2.7	Eigenmachtige ombouw en vervaardiging van reserveonderdelen	24
2.8	Ongeoorloofde gebruikswijzen	24
<b>3</b>	<b>Transport en opslag</b>	<b>24</b>
<b>4</b>	<b>Toepassing</b>	<b>24</b>
<b>5</b>	<b>Technische informatie</b>	<b>25</b>
5.1	Type-aanduiding	25
5.2	Technische gegevens	25
5.3	Levering	25
5.4	Toebehoren	25
<b>6</b>	<b>Beschrijving en werking</b>	<b>25</b>
6.1	Beschrijving	25
6.2	Bedrijf	25
<b>7</b>	<b>Installatie en verbinding</b>	<b>26</b>
7.1	Levering en installatie	26
7.2	Elektrische aansluiting	26
7.3	Hydraulische verbinding	26
<b>8</b>	<b>Inbedrijfname/buitenbedrijfstelling</b>	<b>27</b>
8.1	Algemene voorbereidingen en bewakingsmaatregelen	27
8.2	Inbedrijfname van de installatie	27
8.3	Buitenbedrijfstelling van de installatie	27
<b>9</b>	<b>Onderhoud</b>	<b>27</b>
<b>10</b>	<b>Storingen, oorzaken en oplossingen</b>	<b>28</b>
<b>11</b>	<b>Reserveonderdelen</b>	<b>29</b>
<b>12</b>	<b>Afvoeren</b>	<b>29</b>

## 1 Algemeen

### 1.1 Betreffende dit document

De taal van de originele inbouw- en bedieningsvoorschriften is Frans. Alle andere talen van deze inbouw- en bedieningsvoorschriften zijn vertalingen van de originele bedieningsvoorschriften. Deze inbouw- en bedieningsvoorschriften zijn een integraal onderdeel van het product. Ze moeten vrij beschikbaar worden gehouden op de plaats waar het product is geïnstalleerd. Strikte naleving van deze inbouw- en bedieningsvoorschriften is een eerste vereiste voor het juiste bedrijf en correcte bediening van het product. Deze inbouw- en bedieningsvoorschriften stemmen overeen met de relevante uitvoering van het product en de onderliggende veiligheidsstandaarden die op het moment van drukken geldig waren. Een exemplaar van de EC-conformiteitsverklaring is een integraal onderdeel van deze inbouw- en bedieningsvoorschriften.

Indien zonder onze voorafgaande goedkeuring een technische wijziging aan de genoemde constructies wordt aangebracht, of indien de bepalingen in deze inbouw- en bedieningsvoorschriften met betrekking tot veiligheid van product/personeel niet in acht worden genomen, verliest deze verklaring haar geldigheid.

## 2 Veiligheid

Deze inbouw- en bedieningsvoorschriften bevatten belangrijke instructies die moeten worden nageleefd tijdens opstelling, bediening en onderhoud. Deze instructies moeten daarom, zonder uitzondering, voor installatie en in inbedrijfname worden gelezen door de onderhoudstechnicus en het gekwalificeerd personeel/gebruiker.

Niet alleen de algemene veiligheidsvoorschriften die in deze sectie zijn vermeld moeten worden nageleefd maar ook de speciale veiligheidsinstructies met gevarensymbolen die zijn opgenomen in de volgende secties.

### 2.1 Aanduiding van aanwijzingen in de bedieningsvoorschriften

**Symbolen:**

**Algemeen gevaarsymbool**



**Gevaar door spanning**



LET OP: ...



**Signaalwoorden:**

**GEVAAR!**

**Acuut gevaarlijke situatie.**

**Niet-naleving zal resulteren in de dood of ernstig letsel.**

**WAARSCHUWING!**

**De gebruiker kan (ernstig) letsel oplopen.**

**“Waarschuwing” impliceert dat (ernstig) letsel aan personen waarschijnlijk is, als deze informatie wordt genegeerd.**

**VOORZICHTIG!**

**Er is een risico van beschadiging van het product/aggregaat. “Voorzichtig” impliceert dat schade aan het product en het bedrijf ervan waarschijnlijk is als deze informatie wordt genegeerd.**

LET OP:

Handige opmerking over hantering van het product. Het wijst ook op mogelijke problemen.

Informatie die direct op het product verschijnt, zoals

- het symbool dat de stroomrichting/draairichting aangeeft,
- de identificatoren voor verbindingen,
- het typeplaatje,
- waarschuwingsstickers, moeten strikt worden nageleefd en in leesbare staat worden gehouden.

### 2.2 Personeelskwalificaties

Het installatie-, bedienings- en onderhoudspersoneel moet de juiste kwalificaties hebben om deze werkzaamheden te voltooien. De exploitant moet zorgen voor de verantwoordelijkheid, het referentiekader en het toezicht van het personeel. Als het personeel niet beschikt over de nodig kennis, moet het worden getraind en geïnstrueerd. Indien nodig kan deze training namens de exploitant worden uitgevoerd door de fabrikant van het product.

### 2.3 Gevaren bij de niet-naleving van de veiligheidsaanwijzingen

Niet-naleving van de veiligheidsvoorschriften kan een gevaar vormen voor personen, het milieu en het product/de installatie. Niet-naleving van de veiligheidsvoorschriften resulteert ook in het verlies van claims bij schades. In detail, kan niet-naleving, bijvoorbeeld, resulteren in de volgende risico's:

- Gevaar voor personen door elektrische, mechanisch en bacteriologische factoren.
- Schade aan het milieu door lekkage van gevaarlijke materialen.
- Schade aan de installatie.
- Falen van belangrijke product-/installatiefuncties.
- Gebrek aan vereiste onderhouds- en reparatieprocessen.

### 2.4 Veilig werken

Er moet worden voldaan aan de in deze inbouw- en bedieningsvoorschriften begrepen veiligheidsvoorschriften, de bestaande nationale regelgeving voor ongevallenpreventie samen met interne werk-, bedienings- en veiligheidsinstructies van de exploitant.

## 2.5 Veiligheidsaanwijzingen voor de gebruiker

Dit apparaat is niet bedoeld voor gebruik door personen (inclusief kinderen) met verminderde fysieke, zintuiglijke of mentale capaciteiten, of met een gebrek aan ervaring en kennis, tenzij zij door een persoon die verantwoordelijk is voor hun veiligheid onder toezicht staan of gedetailleerde instructie hebben gekregen over het gebruik van het apparaat.

Kinderen moeten onder toezicht staan om ervoor te zorgen dat ze niet spelen met het apparaat.

- Als warme of koude onderdelen van het product of de installatie een gevaar vormen, is het de verantwoordelijkheid van de klant deze te beveiligen tegen aanraken.
- Beschermingen die beveiligen tegen het aanraken van bewegende onderdelen (zoals de koppeling) mogen tijdens bedrijf van het product niet worden verwijderd.
- Gevaarlijke vloeistoffen (bijv. van de asafdichtingen) die hebben gelekt (die explosief, giftig of heet zijn) moeten worden geëlimineerd zodat geen gevaar ontstaat voor personen of de omgeving. Nationale wettelijke bepalingen moeten worden gerespecteerd.
- Licht ontvlambare materialen moeten altijd op een veilige afstand van het product worden bewaard.
- Gevaar door elektrische stroom moet worden geëlimineerd. Lokale richtlijnen of algemene richtlijnen (bijv. IEC, VDE enz.) en instructies van energiebedrijven moeten worden opgevolgd.

## 2.6 Veiligheidsvoorschriften voor montage- en onderhoudswerkzaamheden

De exploitant moet verzekeren dat alle onderhouds- en installatiewerkzaamheden worden uitgevoerd door gekwalificeerd personeel, dat voldoende is geïnformeerd door hun eigen gedetailleerde studie van de inbouw- en bedieningsvoorschriften.

Werkzaamheden aan het product of de installatie mogen alleen worden uitgevoerd tijdens stilstand. Het is verplicht, de beschreven procedures in de inbouw- en bedieningsvoorschriften voor uitschakelen van het product/installatie na te leven. Onmiddellijk na beëindiging van de werkzaamheden moeten alle veiligheids- en beveiligingsapparaten worden teruggeplaatst en weer in gebruik worden genomen.

## 2.7 Eigenmachtige ombouw en vervaardiging van reserveonderdelen

Ongeautoriseerde modificatie van onderdelen en gebruik van ongeautoriseerde reserveonderdelen zullen de veiligheid van het product/personeel in gevaar brengen en maken de verklaringen van de fabrikant betreffende de veiligheid ongeldig. Aanpassingen aan het product zijn slechts toelaatbaar na overleg met de fabrikant. Originele reserveonderdelen en toebehoren die door de fabrikant zijn geautoriseerd garanderen de veiligheid.

Het gebruik van andere onderdelen ontslaat het productiebedrijf van iedere aansprakelijkheid.

## 2.8 Ongeoorloofde gebruikswijzen

De bedrijfsveiligheid van het geleverde product is slechts gegarandeerd als is voldaan aan de eisen vermeld in sectie 4 van de inbouw- en bedieningsvoorschriften. De grenswaarden mogen in geen geval lager of hoger zijn dan de in de catalogus of het gegevensblad vermelde waarden.

## 3 Transport en opslag

Controleer, bij ontvangst van het product, of het tijdens transport niet is beschadigd. Neem, indien schade wordt vastgesteld, binnen de gestelde termijn alle nodige maatregelen met de vervoerder. Het drukverhogingsinstallatie wordt geleverd op een pallet. Het wordt tegen vocht en stof beschermd door transparante plastic krimpfolie. De op de verpakking aangebrachte instructies voor transport en opslag moeten in acht worden genomen.

De installatie moet worden vervoerd met een opvoerinrichting dat is geschikt voor het dragen van de belasting.

### WAARSCHUWING!

**Er moet rekening worden gehouden met de statische stabiliteit van het apparaat, omdat door de constructie van de pomp het zwaartepunt van de installatie verschuift naar het bovenste deel. Onderhoud moet worden uitgevoerd door gekwalificeerd personeel met behulp van geschikte en geautoriseerde uitrusting. Hijsbanden moeten worden bevestigd aan de oogbouten die voor dit doel zijn geconstrueerd of rond de stalen grondplaat.**

**De opvangbakken zijn niet geschikt voor hantieren van het drukverhogingsinstallatie en mogen niet worden gebruikt om ladingen te bevestigen.**

**De stickers die zijn bevestigd aan de opvangbakken bieden een herinnering aan deze instructies (Fig. 4).**

**VOORZICHTIG! Risico van schade aan de installatie**

**Bewaar het geleverde materiaal, als het op een latere datum moet worden geïnstalleerd, op een droge plaats en bescherm het tegen schokken en externe invloeden (vocht, vorst enz.).**

**Temperatuurbereik voor transport en opslag: -30 °C tot +60 °C**

Behandel het product met zorg zodat het voorafgaand aan de installatie niet wordt beschadigd.

## 4 Toepassing

De belangrijkste functie van het drukverhogingsinstallatie is verzekeren dat een watervoorziening met onvoldoende of geen druk onder druk staat en onder druk blijft. De in de pompen geïntegreerde toerentalvariators en het geïntegreerde elektronische regelsysteem maken het mogelijk





om de leidingdruk op een constante druk te houden, ongeacht het debiet.

Het wordt gebruikt voor:

- Drinkwatervoorzieningsinstallaties, in het bijzonder in hoogbouwappartementen, ziekenhuizen, industriële en administratieve gebouwen en voldoet aan de volgende normen en richtlijnen met betrekking tot constructie, functie en vereisten:
    - DIN 1988 (voor Duitsland)
    - DIN 2000 (voor Duitsland)
    - EU-richtlijn 98/83/EG
    - Drinkwaterrichtlijn – TrinkwV2001 (voor Duitsland)
  - Industriële watervoorzienings- en koelsystemen
  - Irrigatie en beregeningsinstallaties
- De watertoevoer naar de drukverhogingsinstallatie kan worden genomen van de openbare watervoorziening of van een buffertank.
- Automatische drukverhogingsinstallaties geleverd door de openbare drinkwaterleiding zijn ofwel direct (directe verbinding) of indirect (indirecte verbinding) gevoed via een breektank. Deze breek tanks zijn gesloten en niet onder druk, d.w.z. ze zijn niet atmosferisch onder druk.

## 5 Technische informatie

### 5.1 Type-aanduiding

COR-3 MHIE 403/MS	
COR	Naam van de drukverhogende installatie
3	Aantal pompen
MHIE	Pomptype
403	Nominale stroomsnelheid en aantal trappen (4 m <sup>3</sup> /h, 3 stages)
MS	Bediening via besturingskaart

### 5.2 Technische gegevens

- Max. werkdruk: 10 bar
  - Toelaatbare mediumtemperatuur: van 3 tot 50 °C
  - Toelaatbare omgevingstemperatuur: van 5 tot 40 °C
  - Voedingsspanning: 3~ 400 V ±10 %
  - Frequentie: 50 of 60 Hz
- Zorg ervoor dat de algemeen installatie overeenkomt met veiligheidsnorm NF-C 15-100.

### 5.3 Levering

Het is cruciaal, om voorafgaand aan de installatie, op de hoogte te zijn van alle hoofdonderdelen van de drukverhogingsinstallatie.

Zie de afbeelding van de drukverhogingsinstallatie in Fig. 1:

1. Schakeltoestel- en beveiligingsbewaking
2. Geïntegreerde frequentie-omvormer om het toerental van de MHIE-pomp te regelen
3. MHIE horizontale pomp met variabel toerental
4. Aanzuigspuitstuk
5. Ontlaadspuitstuk
6. Druksensor
7. Grondplaat voor steun en bevestiging
8. Manometer



### 9. Drukreservoir

LET OP:

iedere pomp is uitgerust met afsluiters aan de zuigzijde, terugslagkleppen en afvoerkleppen. Zie de afbeelding van de besturingskaart in Fig. 2 & 3:

1. Elektronische besturingskaart
2. Geïntegreerde frequentie-omvormer om het toerental van de MHIE-pomp te regelen
3. Schakelaar voor het selecteren van het aantal pompen
4. Instelbare regelweerstand
5. Zelfklevende steunen

### 5.4 Toebehoren

Het volgende toebehoren is verkrijgbaar:

- Afsluiters
  - Trillingsdempingsslangen
  - Drukregelaar
  - Drukreservoir
  - Voetventielzuigkorf
- Toebehoren moet apart worden besteld en moet aan de installatie worden geïnstalleerd.

## 6 Beschrijving en werking

### 6.1 Beschrijving

De drukverhogingsinstallatie wordt geleverd met een stekkerklaar leidingsysteem. De klant moet de aanzuig- en uitlaatspuitstukken correct aansluiten. De klant moet ook het schakeltoestel aansluiten op de spanningsvoorziening.

Bij verbinding op de openbare watervoorziening moeten de voorschriften en geldende normen in acht worden genomen en, indien nodig, worden nageleefd volgens de voorschriften van de waterleidingbedrijven.

Bovendien moet rekening worden gehouden met de lokale omstandigheden: bijvoorbeeld, als de toevoerdruk te hoog of variabel is, moet een drukregelaar worden geïnstalleerd.

### 6.2 Bedrijf

De drukverhogingsinstallatie is uitgerust met normaalzuigende meertraps hogedrukpompen.

De pompen verhogen de druk en transporteren het water naar de consument door middel van het ontlaadspuitstuk. Bovendien worden ze geactiveerd/gedeactiveerd of geregeld volgens de drukbelasting. Door de druksensor wordt de actuele drukbelasting continu gemeten, omgezet naar een stroomsignaal en dan overgedragen naar de besturingskaart.

De pompen worden naar behoefte geactiveerd, toegevoegd en gedeactiveerd door middel van de besturingskaart. Het toerental van een pomp wordt gewijzigd tot het punt waarop de ingestelde besturingsparameters worden bereikt. De pomp die als eerste wordt opgestart wordt de hoofdpomp genoemd. Alle andere pompen die nodig zijn om het bedrijfspunt van de installatie te bereiken, worden pieklastpompen genoemd. Voor

het configureren van de drinkwatervoorzieningsinstallatie overeenkomstig DIN 1988, moet een reservepomp worden voorzien, zodat er altijd een pomp stand-by is in het geval van max. circulatie. Om een evenwichtig bedrijf van alle pompen te verzekeren, vindt er een constant geregelde wisselschakeling van de pompen plaats, d.w.z. de inbedrijfsnamevolgorde en de inzet van de primaire belasting, suppletie- en reservepompprocedures veranderen regelmatig.

De besturingskaart maakt de automatische wisselschakeling om de 200 minuten mogelijk om de bedrijfsuren voor elke pomp te verdelen. Het membraandrukvat (totale inhoud ca. 8 liter) zorgt voor een buffereffect aan de druksensor en voorkomt alle oscillatiegedrag van de regeling op het moment van inbedrijfsname en buitenbedrijfsstelling van de installatie. Het maakt ook een lage afname van water (bijvoorbeeld in het geval van een kleine lekkage) van het beschikbare opslagvolume mogelijk zonder activering van de hoofdpomp. Dit verlaagt de schakelfrequentie van de pomp en stabiliseert de bedrijfsstatus van de drukverhogingsinstallatie.

## 7 Installatie en verbinding

### 7.1 Levering en installatie

Pak het product uit en verwijder de verpakking op een milieuverantwoorde manier.

Installeer de drukverhogingsinstallatie in een gemakkelijk toegankelijke ruimte, die goed is geventileerd en is geïsoleerd tegen vorst. Toegangsroutes naar de ruimte moeten vrij van obstructies worden gehouden.

De constructie van de drukverhogingsinstallatie maakt vloerinstallatie op een vlakke betonnen oppervlak mogelijk. Omdat de grondplaat is geplaatst op in hoogte verstelbare trillingsdempers, is de installatie al uitgerust met isolatie tegen geluidsoverdracht.

Als de installatie ter plaatse verder aan de grond moet worden bevestigd, moeten passende maatregelen worden genomen ter voorkoming van geluidsoverdracht door dergelijke structuren.

### 7.2 Elektrische aansluiting



**WAARSCHUWING! Risico van elektrische schok! De elektrische aansluiting moet worden uitgevoerd door een elektricien die is goedgekeurd door de lokale energieleverancier en in overeenstemming met de actuele lokale regelgeving.**

Bij het maken van de elektrische verbinding, is het cruciaal dat wordt verwezen naar de corresponderende inbouw- en bedieningsvoorschriften en het schakelschema dat is meegeleverd met het schakeltoestel. In het algemeen moeten de volgende aspecten in acht worden genomen:

- De netaansluitspanning moet corresponderen met de eigenschappen die zijn vermeld op het typeplaatje en het elektrisch aansluitschema van het schakeltoestel,

- De elektrische aansluitkabel voor het schakeltoestel moet correct worden gedimensioneerd in verhouding tot het totale vermogen van de drukverhogingsinstallatie (zie het typeplaatje en de technische gegevens),
- De drukverhogingsinstallatie moet worden geaard in overeenstemming met de regelgeving (d.w.z. in overeenstemming met lokale regelgeving en omstandigheden); de verbindingen voor dit doel worden overeenstemming (zie ook het elektrisch aansluitschema).



LET OP:

Vergeet niet de grondplaat van de drukverhogingsinstallatie te verbinden met de grond waar de installatie wordt geïnstalleerd.

### 7.3 Hydraulische verbinding

Voor verbinding op het openbare waterleidingnet moet rekening worden gehouden met de eisen van het betreffende lokale watervoorzieningsbedrijf.

De installatie mag alleen worden aangesloten nadat alle las- en soldeerwerkzaamheden zijn uitgevoerd en na de (verplicht) spoelen en (optioneel) desinfectie van de hydraulische kringloop en de geleverde drukverhogingsinstallatie.

Het is absoluut noodzakelijk dat de spanning tijdens de installatie van het leidingsysteem ter plaatse wordt onderbroken. Het is raadzaam om hiervoor lengtebegrenzende compensatoren of flexibele verbindingen te gebruiken om te voorkomen dat starre verbindingen vervormen en om de overdracht van installatietrillingen naar het gebouw te reduceren. Om de overdracht van constructiegeluiden naar het huis te voorkomen, mogen de pijpansluitingen niet op het leidingsysteem van de drukverhogingsinstallatie worden gemonteerd.

De verbinding wordt overeenkomstig de lokale omstandigheden ofwel rechts of links van de installatie gemaakt.

De openingen die niet worden gebruikt worden dan geblokkeerd met de meegeleverde pluggen. Houd de regelweerstand in de zuigleiding zo laag mogelijk (met andere woorden: een korte leiding, weinig bochten en voldoende grote afsluiters), anders kan de droogloopbeveiliging worden geactiveerd tijdens hoge drukverliezen of grote uitgangsvolumes (houd rekening met de NPSH van de pomp en vermijd drukverliezen en cavitatie). De aanzuig- en uitlaatspruitstukken kunnen ofwel links of rechts worden aangesloten.

Monteer, voor aansluiten van de drukverhogingsinstallatie, kleppen op de 2 opvangbakken om ze te isoleren wanneer werkzaamheden aan de installatie worden uitgevoerd.

**VOORZICHTIG!**

- **Verzekert, als de drukverhogingsinstallatie is aangesloten op een openbare watervoorziening onder druk, dat de installatie de maximale pompdruk kan weerstaan bij nul stroomsnelheid plus de druk van de openbare watervoorziening. Als dat niet het geval is, moet een drukregelaar**



worden geplaatst aan de uitgang van de drukverhogingsinstallatie.

- **We raden sterk de installatie van een verschil-drukregelaar aan in de watertoevoerbuis ter vermindering van drukschommelingen aan de ingang naar de drukverhogingsinstallatie.**

Als de drukverhogingsinstallatie in afzuigmodus is in een buffertank, mogen de wrijvingsverliezen de maximale zuigcapaciteit van de pomp niet overschrijden.

Het is raadzaam een voetventiel te gebruiken met leidingen van gelijke of grotere afmetingen dan de nominale diameter van de leidingen aan de zuigzijde.

De installatie moet altijd worden uitgerust met een drukreservoir.

## 8 Inbedrijfname/buitenbedrijfstelling

Wij adviseren dat u regelt dat de eerste inbedrijfname van uw drukverhogingsinstallatie wordt uitgevoerd door uw dichtstbijzijnde Wilo-service-dienst of neem gewoon contact op met de Wilo centrale servicedienst.

### 8.1 Algemene voorbereidingen en bewakingsmaatregelen

- Controleer, voorafgaand aan de eerste inbedrijfname, de door de klant geïnstalleerde bekabeling, in het bijzonder de aardverbinding;
- Controleer de bron van de watervoorziening (voldoende vol buffertank of geschikte openbare watervoorziening);
- Vul de installatie en controleer de dichtheid door een visuele inspectie uit te voeren;
- Open de afsluiters aan de pompen en in de aanzuig- en persleidingen;
- Open de stoppers in de ventilatie-installatie van de pompen en vul de pompen langzaam met water om zo de lucht volledig te laten ontsnappen.



**VOORZICHTIG! Risico van schade aan de installatie! Laat de pomp nooit drooglopen. Drooglopen vernietigt de mechanische afdichting en veroorzaakt overbelasting van de motor.**

- Breng het membraandrukvat op druk. De invoerdruk van het vat moet 0,3 bar onder de druk liggen die de pompen activeert.



**GEVAAR!**

**Overschrijd de maximale voorvul-waarde van het reservoir niet.**

- Controleer de draairichting van de pompen: controleer tijdens een korte opstart, of de draairichting van de pompen overeenkomt met de pijl op het pomphuis. Wissel twee fasen, als de draairichting incorrect is.



**GEVAAR! Risico van elektrische schok!**

**Onderbreek de spanningsvoorziening, voor het wisselen van de fasen, met de hoofd aan-/uitschakelaar van de installatie.**

- Controleer aan het schakeltoestel, of de vereiste serviceparameters in overeenstemming zijn met de geleverde inbouw- en bedieningsvoorschriften en stel ze in.

### 8.2 Inbedrijfname van de installatie

Schakel, na voltooiing van alle voorbereidende werkzaamheden en uitvoeren van alle in sectie 8.1 vermelde controles, de hoofd aan-/uitschakelaar in. De druksensor meet de beschikbare druk en stuurt het bijbehorende elektronische signaal naar het regelsysteem.

Als de druk lager is dan de ingestelde inschakeldruk, activeert dit de primaire pomp overeenkomstig de ingestelde parameters en regeltype en mogelijk de pieklaspompen totdat het leidingnetwerk van de consument is gevuld met water en de ingestelde druk is bereikt.

#### Instelling

Stel de verstelbare regelweerstand van de kaart in met een schroevendraaier (Fig. 3, pos. 4) voor het verkrijgen van het gewenste drukniveau (lees de instellingen af op de displays van de variator).

OPMERKING:

Het compenseren van de instelwaarden met ongeveer 5% tussen elke variator is volkomen normaal.

**VOORZICHTIG!**

**Laat de pomp niet langer dan één minuut werken met de persklep gesloten.**



### 8.3 Buitenbedrijfstelling van de installatie

Ga als volgt te werk, als de drukverhogingsinstallatie buiten bedrijf moet worden gesteld om onderhouds- en reparatiewerkzaamheden e.d. te kunnen uitvoeren:

- Schakel de hoofd aan-/uitschakelaar uit en verzeker dat de installatie niet opnieuw kan worden geactiveerd door onbevoegde personen.
- Sluit de afsluiters voor en na installatie.
- Isoleer en maak het membraandrukvat leeg.
- Indien nodig, de volledige installatie leegmaken.

## 9 Onderhoud

Onderhouds- en reparatiewerkzaamheden mogen alleen door gekwalificeerd personeel worden uitgevoerd!



**GEVAAR! Risico op dodelijk letsel!**

**Bij werken aan elektrische apparaten, is er een dodelijk gevaar door elektrische schok.**

**Ontkoppel, voor het uitvoeren van onderhouds- of reparatiewerkzaamheden, het apparaat of installatie van de spanningsvoorziening en zorg ervoor dat het niet opnieuw kan worden geactiveerd door onbevoegde personen. In het algemeen, mag alleen een gekwalificeerde elektricien/ingenieur worden toegestaan beschadigde verbindingkabels te repareren.**

Om een optimale bedrijfsveiligheid te garanderen en de bedrijfskosten tot een minimum te beperken, is het raadzaam regelmatig de drukverhogingsinstallatie te inspecteren en te onderhouden (zie standaard DIN 1988). Hiervoor is de beste oplossing om onderhoudswerkzaamheden uit te besteden aan een gespecialiseerd bedrijf of onze servicedienst.

De volgende inspecties moeten op een regelmatige basis worden uitgevoerd:

- Controleer of de drukverhogingsinstallatie in goede staat verkeert.
- Controleer de mechanische afdichtingen van de pompen. De mechanische afdichtingen gebruiken water voor de smering, er kunnen daarom kleine hoeveelheden uit de pakking lekken. In het geval van een meer substantiële lekkage, moet de mechanische afdichting worden vervangen.
- Controleer (idealiter elke 3 maanden) of het membraandrukvat op de juiste druk wordt gehouden voor de voordruk en of het ondoordringbaar is.



**VOORZICHTIG! Risico van schade aan de installatie!**

**Als de voordruk niet voldoende is, kan de werking van het membraandrukvat niet worden gegarandeerd. Dit kan leiden tot overmatige slijtage van het membraan en technische fouten.**

Bij drukverhogingsinstallaties met frequentieomvormers moeten de ingangs- en uitgangsfilters van de ventilator worden gereinigd zodra deze aanzienlijk verstopt raken.

Ga, bij buitenbedrijfstelling van de installatie voor een lange periode, te werk zoals beschreven in sectie 8.3 en maak alle pompen leeg door opening van de aftappluggen aan de voet van de pomp.

## 10 Storingen, oorzaken en oplossingen

Probleemoplossing, met name van problemen gerelateerd aan de pompen en schakeltoestel, mag uitsluitend worden uitgevoerd door een Wilo-servicedienst of een gespecialiseerde onderneming.

LET OP:

Bij het uitvoeren van alle onderhouds- en reparatiewerkzaamheden is het cruciaal, dat de algemene veiligheidsvoorschriften worden nageleefd! Het is ook belangrijk om de inbouw- en bedieningsvoorschriften voor de pompen en het schakeltoestel op te volgen!

**GEVAAR! Risico op dodelijk letsel!**

**Alleen specialisten en passend gekwalificeerd personeel mag probleemoplossing uitvoeren! Neem de veiligheidsvoorschriften in sectie 9 in acht.**



Storing	Oorzaak	Oplossingen
Ten minste één van de twee pompen start niet	Luchtinvoer aan zuigzijde	Controleer de dichtheid van alle verbindingen in het leidingsysteem van de aanzuiging. Controleer of de zuigzeef goed is ondergedompeld in water.
	Voetventielzuigkorf is doorlatend of verstopt	Controleer de dichtheid van de klep en vervang deze indien nodig.
	Significante wrijvingsverliezen aan de zuigzijde	Controleer de wrijvingsverliezen en zorg ervoor dat ze compatibel zijn met de NPSH van de pompen.
	Voordruk in de openbare watervoorziening te laag of nul	Stel de installatie in om de drukverhogingsinstallatie te voeden vanuit een buffertank.
	Negatieve aanzuighoogte boven reservoir te groot	Verzekert dat het minimale niveau van het reservoir compatibel is met de NPSH van de pompen.
	Leidingsysteem van de aanzuiging geblokkeerd of klep aan aanzuigspruitstuk gesloten	Controleer of de klep open is en reinig leidingsysteem indien nodig.
Eén pomp start niet	Thermische motorbeveiliging geactiveerd	Het waarschuwinglampje "storing" van de pomp op het schakeltoestel moet branden. Controleer de thermische motorbeveiligingsinstellingen en reset.
	Magnetische vermogensbeschermingsschakelaar geactiveerd	Controleer of de motorfasen niet zijn kortgesloten. Vervang indien nodig de motor. Reset de vermogensbeschermingsschakelaar.
	Pompas geblokkeerd	Ontkoppel de spanningsvoorziening van het schakeltoestel, controleer dan of de pompas vrij draait. Ga verder met het demonteren van de pomp, als hij is geblokkeerd.
	Storing in de wikkeling	Ontkoppel de klem van de betreffende motor en controleer de regelweerstand op de aansluitingen en de isolatie van de stator naar aardpunt. Vervang indien nodig de motor.

Storing	Oorzaak	Oplossingen
Geen druk aan de perszijde	Ten minste één van de pompen is gedeactiveerd	Zie de voorgaande sectie, storing "Ten minste één van de twee pompen start niet".
	Voordruk van de openbare watervoorziening onder de minimaal voorgeschreven druk	Neem contact op met de lokale waterleverancier of vervang de drukverhogingsinstallatie. Neem contact met ons op.
	Eén pomp is geblokkeerd door vreemde voorwerpen	Demonteer en reinig de pomp.
	De motoren worden gevoed door een ontoereikende voedingsspanning.	Controleer de spanning en de verbinding met de motoraansluitingen.
Willekeurig bedrijf, pompen starten regelmatig	Druksensor is defect	Controleer de instellingen: als de sensor onstabiel is, moet deze worden vervangen.
	Onvoldoende installatiecapaciteit (of reservoir van onvoldoende capaciteit)	Installeer een extra opslagtank of vervang door een reservoir met een grotere capaciteit.
	Pre-inflatie-niveau van het reservoir voldoet niet	Ga verder met het vullen van het reservoir.
	Wateropslagvat doorboord	Vervang het vat.
De laag-waterbescherming activeert frequent	Uitschakeling bij droogloop is te hoog ingesteld	Stel af en corrigeer de instellingen van de uitschakelingsschakelaar.
	Voordruk van de openbare watervoorziening daalt als de pompen activeren	Stel de uitschakeling bij droogloop in op een minimum. Als het probleem aanhoudt, is de openbare watervoorziening onvoldoende; controleer de manometerstand bij het opstarten van de pompen of raadpleeg de openbare waterleverancier.
Geautomatiseerd bedrijf defect	Schakeltoestel defect	Raadpleeg de instructies van het schakeltoestel.
	Sensor defect	Controleer de contacten; vervang indien nodig de sensor in kwestie.
	Kabels losgekoppeld	Controleer alle aansluitingen op de schakelaar van het schakeltoestel.
Ontlaadklep niet gesloten	Ventielmembraan of pakking is vernietigd	Vervang de kleppen.
De drukverhogingsinstallatie stopt niet of start niet	Druksensor afsluiter is gesloten	Open de druksensor afsluiter.

Consulteer, als de fout niet kan worden opgelost, een specialistische technicus of uw dichtstbijzijnde Wilo-servicedienst.

## 11 Reserveonderdelen

Reserveonderdelen kunnen worden besteld of reparatiewerkzaamheden geregeld via een gespecialiseerde detailhandelaar en/of de Wilo-servicedienst.

Om vragen en verkeerde bestellingen te vermijden, moeten bij elke bestelling alle gegevens op het typeplaatje worden vermeld.

## 12 Afvoeren



Wettelijke afvoering en correcte recycling van dit product voorkomt schade aan het milieu en risico's voor de gezondheid. Afvoeren in overeenstemming met de regelgeving vereist het leegmaken, reinigen en demontage van de motorpomp-aggregaat. Smeermiddelen moeten worden verzameld. De onderdelen van de drukverhogingsinstallatie moeten worden gesorteerd conform de materialen (metaal, plastic en elektronica).

1. Voor het verwijderen van het product en de onderdelen moet u contact opnemen met openbare of particuliere afvalverwerkingsbedrijven.
2. Neem voor meer informatie over de correcte afvoer van het product contact op met uw lokale overheid, afvalinzamelings- en verwerkingservice of het originele servicepunt van het product.

Bezoek voor meer informatie, [www.wilo.com](http://www.wilo.com)

**Technische wijzigingen voorbehouden!**

<b>1</b>	<b>Informacje ogólne</b> .....	<b>31</b>
1.1	O niniejszym dokumencie .....	31
<b>2</b>	<b>Bezpieczeństwo</b> .....	<b>31</b>
2.1	Oznaczenie zaleceń w instrukcji obsługi .....	31
2.2	Kwalifikacje personelu .....	31
2.3	Niebezpieczeństwa wynikające z nieprzestrzegania zaleceń .....	31
2.4	Bezpieczna praca .....	31
2.5	Zalecenia dla użytkowników .....	32
2.6	Zalecenia dotyczące bezpieczeństwa przy pracach montażowych i konserwacyjnych .....	32
2.7	Samowolna przebudowa i stosowanie niewłaściwych części zamiennych .....	32
2.8	Niedopuszczalne użytkowanie .....	32
<b>3</b>	<b>Transport i magazynowanie</b> .....	<b>32</b>
<b>4</b>	<b>Zakres zastosowania</b> .....	<b>32</b>
<b>5</b>	<b>Informacje techniczne</b> .....	<b>33</b>
5.1	Oznaczenie typu .....	33
5.2	Dane techniczne .....	33
5.3	Dopływ .....	33
5.4	Wyposażenie dodatkowe .....	33
<b>6</b>	<b>Opis i działanie</b> .....	<b>33</b>
6.1	Opis .....	33
6.2	Eksploatacja .....	33
<b>7</b>	<b>Montaż i podłączenie</b> .....	<b>34</b>
7.1	Dostawa i montaż .....	34
7.2	Podłączenie elektryczne .....	34
7.3	Przyłącze hydrauliczne .....	34
<b>8</b>	<b>Uruchomienie/wyłączenie z eksploatacji</b> .....	<b>35</b>
8.1	Przygotowania ogólne i środki kontroli .....	35
8.2	Uruchomienie systemu .....	35
8.3	Wyłączenie systemu z eksploatacji .....	35
<b>9</b>	<b>Konserwacja</b> .....	<b>36</b>
<b>10</b>	<b>Usterki, przyczyny usterek i ich usuwanie</b> .....	<b>36</b>
<b>11</b>	<b>Części zamienne</b> .....	<b>37</b>
<b>12</b>	<b>Utylizacja</b> .....	<b>38</b>

## 1 Informacje ogólne

### 1.1 O niniejszym dokumencie

Oryginał instrukcji montażu i obsługi jest napisany w języku francuskim. Wszystkie inne wersje językowe niniejszej instrukcji montażu i obsługi są tłumaczeniami wersji oryginalnej. Instrukcja montażu i obsługi stanowi integralną część produktu. Powinna być stale dostępna w pobliżu zamontowanego produktu. Ścisłe przestrzeganie niniejszej instrukcji stanowi warunek użytkowania zgodnego z przeznaczeniem oraz należytej obsługi produktu. Niniejsza instrukcja montażu i obsługi jest zgodna z wersją produktu oraz stanem przepisów i norm bezpieczeństwa, obowiązujących w dniu przekazania instrukcji do druku. Kopia deklaracji zgodności WE stanowi część niniejszej instrukcji montażu i obsługi. W przypadku technicznej zmiany konstrukcji wymienionych w powyższym dokumencie bez uzyskania naszej zgody lub w przypadku nieprzestrzegania deklaracji zamieszczonych w instrukcji montażu i obsługi dotyczących bezpieczeństwa produktu/personelu, deklaracja ta traci ważność.

## 2 Bezpieczeństwo

Niniejsza instrukcja montażu i obsługi zawiera ważne zalecenia, które należy uwzględnić podczas montażu, obsługi i konserwacji urządzenia. W związku z tym technik serwisowy i odpowiedzialny personel specjalistyczny/operator mają obowiązek przeczytać niniejszą instrukcję przed przystąpieniem do montażu i uruchomienia.

Dodatkowo do ogólnych instrukcji bezpieczeństwa wymienionych w niniejszym punkcie należy również przestrzegać specjalnych instrukcji bezpieczeństwa z symbolami niebezpieczeństwa, zawartymi w kolejnych punktach.

### 2.1 Oznaczenie zaleceń w instrukcji obsługi

**Symbole:**



**Ogólny symbol niebezpieczeństwa**



**Niebezpieczeństwo związane z napięciem elektrycznym**



NOTYFIKACJA: ...

**Teksty ostrzegawcze:**

**NIEBEZPIECZEŃSTWO!**

**Bardzo niebezpieczna sytuacja.**

**Nieprzestrzeganie grozi ciężkimi obrażeniami, a nawet śmiercią.**

**OSTRZEŻENIE!**

**Użytkownik może doznać (ciężkich) obrażeń.**

„Ostrzeżenie” oznacza, że w razie niezastosowania się do treści informacji, istnieje prawdopodobieństwo odniesienia (ciężkich) obrażeń przez ludzi.

**PRZESTROGA!**

Istnieje niebezpieczeństwo uszkodzenia produktu/instalacji. „Przeostroga” oznacza możliwość uszkodzenia produktu i jego funkcji w razie niezastosowania się do treści informacji.

NOTYFIKACJA:

Użyteczna wskazówka dotycząca posługiwania się produktem. Wskazuje również potencjalne trudności.

Informacje umieszczone bezpośrednio na produkcie, jak np.:

- symbol wskazujący kierunek przepływu/obrotów,
  - identyfikatory przyłączy,
  - tabliczka znamionowa
  - naklejki ostrzegawcze,
- muszą być w pełni czytelne i należy się do nich bezwzględnie stosować.

### 2.2 Kwalifikacje personelu

Personel zajmujący się montażem, obsługą i konserwacją musi mieć odpowiednie kwalifikacje do wykonywania tych prac. O kwestie zakresu odpowiedzialności, kompetencji oraz kontroli personelu musi zadbać operator. Jeżeli personel nie posiada wymaganej wiedzy, należy go przeszkolić i poinstruować. W razie konieczności szkolenie takie może zostać przeprowadzone przez producenta produktu w imieniu operatora.

### 2.3 Niebezpieczeństwa wynikające z nieprzestrzegania zaleceń

Nieprzestrzeganie zaleceń dotyczących bezpieczeństwa może prowadzić do powstania zagrożenia dla osób, środowiska oraz produktu/systemu. Nieprzestrzeganie zaleceń dotyczących bezpieczeństwa powoduje również utratę wszelkich praw do roszczeń odszkodowawczych. W szczególności, nieprzestrzeganie tych zasad może nieść ze sobą następujące zagrożenia:

- Zagrożenie dla ludzi powodowane działaniem czynników elektrycznych, mechanicznych i bakteriologicznych.
- Zanieczyszczenie środowiska na skutek wycieku materiałów niebezpiecznych.
- Uszkodzenie instalacji.
- Awarię ważnych funkcji produktu/systemu.
- Nieskuteczność wymaganych zabiegów konserwacyjnych i napraw.

### 2.4 Bezpieczna praca

Należy przestrzegać zaleceń dotyczących bezpieczeństwa wymienionych w niniejszej instrukcji montażu i obsługi, obowiązujących krajowych przepisów BHP, jak również ewentualnych wewnętrznych przepisów dotyczących pracy, przepisów zakładowych i przepisów bezpieczeństwa określonych przez operatora.



## 2.5 Zalecenia dla użytkowników

Urządzenie nie może być użytkowane przez osoby (w tym dzieci) o ograniczonych zdolnościach fizycznych, sensorycznych lub umysłowych, a także osoby niemające odpowiedniego doświadczenia lub wiedzy, chyba że ich praca jest monitorowana lub zostali szczegółowo poinstruowani w zakresie użytkowania urządzenia przez osobę odpowiedzialną za ich bezpieczeństwo.

Należy pilnować, aby urządzenie nie służyło dzieciom do zabawy.

- Jeśli gorące lub zimne komponenty produktu lub systemu stwarzają zagrożenie, obowiązkiem klienta jest uniemożliwić innym osobom kontakt z nimi.
- Zabezpieczeń przed dotknięciem ruchomych elementów (np. sprzęgła) nie można demontować podczas eksploatacji produktu.
- Niebezpieczne płyny (np. z uszczelnienia wału), które wyciekły (i mają właściwości wybuchowe, toksyczne lub są gorące), muszą być usuwane, by nie stanowiły zagrożenia dla osób lub środowiska. Należy przestrzegać krajowych przepisów ustawowych.
- Produkt należy chronić przed kontaktem z materiałami łatwopalnymi.
- Należy wyeliminować zagrożenia związane z energią elektryczną. Należy przestrzegać przepisów (np. IEC, VDE itd.) oraz zaleceń lokalnego zakładu energetycznego.

## 2.6 Zalecenia dotyczące bezpieczeństwa przy pracach montażowych i konserwacyjnych

Operator jest zobowiązany zadbać o to, aby wszystkie prace konserwacyjne i montażowe wykonywali upoważnieni, odpowiednio wykwalifikowani specjaliści, którzy w wystarczającym stopniu zapoznali się z instrukcją montażu i obsługi poprzez jej dokładną lekturę.

Prace przy produkcie lub systemie mogą być wykonywane tylko wówczas, gdy urządzenie znajduje się w stanie przestoju. Należy bezwzględnie przestrzegać opisanego w instrukcji montażu i obsługi sposobu postępowania podczas wyłączenia produktu/instalacji. Bezpośrednio po zakończeniu prac należy ponownie zamontować lub aktywować wszystkie urządzenia bezpieczeństwa.

## 2.7 Samowolna przebudowa i stosowanie niewłaściwych części zamiennych

Samowolna przebudowa i stosowanie niewłaściwych części zamiennych zagrażają bezpieczeństwu produktu/personelu i powodują utratę ważności deklaracji bezpieczeństwa wydanej przez producenta.

Zmiany w obrębie produktu dozwolone są tylko po uzgodnieniu z producentem. Celem stosowania oryginalnych części zamiennych i atestowanego przez producenta wyposażenia dodatkowego jest zapewnienie bezpieczeństwa.

Użytkowanie innych części zwalnia producenta z wszelkiej odpowiedzialności.

## 2.8 Niedopuszczalne użytkowanie

Niezawodne działanie dostarczonego produktu gwarantowane jest tylko wtedy, gdy przestrzegane są wymagania wskazane w Punkcie 4 niniejszej instrukcji montażu i obsługi. Wartości graniczne, podane w katalogu lub karcie charakterystyki, nie mogą być przekraczane (odpowiednio w górę lub w dół).

## 3 Transport i magazynowanie

Odbierając urządzenie, należy sprawdzić, czy nie doszło do jego uszkodzenia podczas transportu. W razie stwierdzenia uszkodzeń, należy w określonym czasie podjąć wszystkie odpowiednie kroki we współpracy z przewoźnikiem.

System do podnoszenia ciśnienia dostarczany jest na palecie. Jest on zabezpieczony kurczliwą folią opakowaniową przed pyłem i wilgocią. Należy przestrzegać instrukcji dotyczących transportu i magazynowania, znajdujących się na opakowaniu.

System należy transportować za pomocą żurawika słupowego o odpowiedniej nośności.

### OSTRZEŻENIE!

**Należy wziąć pod uwagę stabilność statyczną urządzenia, ponieważ, ze względu na konstrukcję pomp, środek ciężkości systemu przenosi się na jego górną część. Konserwacja musi być przeprowadzona przez wykwalifikowany personel z użyciem odpowiedniego i autoryzowanego wyposażenia. Zawieszanie należy mocować do śrub oczkowych przeznaczonych do tego celu lub wokół stalowej płyty podstawy.**

**Zbiorniki retencyjne nie są w stanie unieść ciężaru systemu do podnoszenia ciśnienia i nie można do nich mocować obciążeń.**

**Naklejki znajdujące się na zbiornikach retencyjnych przypominają o powyższych instrukcjach (Fig. 4).**

**PRZESTROGA! Ryzyko uszkodzenia instalacji**  
**Jeżeli dostarczony towar ma zostać zamontowany w późniejszym czasie, należy przechowywać go w suchym miejscu, chroniąc przed uderzeniami i innymi czynnikami zewnętrznymi (wilgocią, mrozem itp.).**  
**Dopuszczalny zakres temperatury podczas transportu i przechowywania: od -30 °C do +60 °C**  
 Należy ostrożnie obchodzić się z produktem, aby go nie uszkodzić przed montażem.

## 4 Zakres zastosowania

Kluczową funkcją systemu do podnoszenia ciśnienia jest zapewnienie odpowiedniego ciśnienia dopływu wody, w którym ciśnienie jest niewystarczające lub jest go brak. Regulatory prędkości zamontowane w pompach





i elektronicznym systemie sterowania umożliwiają utrzymywanie stałego ciśnienia w kanalizacji bez względu na prędkość przepływu.

System stosowany jest w:

- Sieciach zaopatrzenia w wodę użytkową, w szczególności w blokach mieszkalnych o wysokiej zabudowie, szpitalach, budynkach przemysłowych i administracyjnych, a także spełnia następujące normy i dyrektywy związane z konstrukcją, funkcjonowaniem i wymaganiami:
  - DIN 1988 (dla Niemiec)
  - DIN 2000 (dla Niemiec)
  - Dyrektywa UE 98/83/WE
  - Dyrektywa w sprawie jakości wody przeznaczonej do spożycia przez ludzi – TrinkwV2001 (dla Niemiec)
- Przemysłowe systemy zaopatrzenia w wodę i chłodzące
- Systemy nawadniające i zraszające  
Wodę do systemu do podnoszenia ciśnienia można doprowadzić z miejskiej sieci wodociągowej lub zbiornika wody uzupełniającej. Systemy do podnoszenia ciśnienia z automatycznym sterowaniem zasilane z publicznej sieci wodociągowej są bezpośrednio (połączenie bezpośrednie) lub pośrednio (połączenie pośrednie) zasilane poprzez zbiornik. Zbiorniki takie są zamknięte i nie znajdują się pod ciśnieniem, tzn. na ich wnętrze nie oddziałuje ciśnienie atmosferyczne.

## 5 Informacje techniczne

### 5.1 Oznaczenie typu

COR-3 MHIE 403/MS	
COR	Nazwa systemu do podnoszenia ciśnienia
3	Liczba pomp
MHIE	Typ pompy
403	Znamionowy przepływ i liczba stopni (4 m <sup>3</sup> /h, 3 stopnie)
MS	Obsługa poprzez kartę sterującą

### 5.2 Dane techniczne

- Maks. ciśnienie robocze: 10 barów
  - Dopuszczalna temperatura cieczy: od 3 do 50 °C
  - Dopuszczalna temperatura otoczenia: od 5 do 40 °C
  - Napięcie zasilania: 3~ 400 V ±10 %
  - Częstotliwość: 50 lub 60 Hz
- Ogólna instalacja musi spełniać normę bezpieczeństwa NF-C 15-100.

### 5.3 Dopyty

Przed instalacją konieczne jest poznanie wszystkich głównych komponentów, które tworzą system do podnoszenia ciśnienia. Patrz ilustracja systemu do podnoszenia ciśnienia na Fig. 1:

1. Sterownik i kontrola zabezpieczenia
2. Zintegrowana przetwornica częstotliwości do sterowania prędkością pompy MHIE
3. Pozioma pompa z regulacją prędkości obrotowej MHIE
4. Rozdzielacz ssawny
5. Rozdzielacz tłoczny
6. Czujnik ciśnienia
7. Płyta podstawy dla podpory i mocowania
8. Manometr
9. Zbiornik ciśnieniowy



#### NOTYFIKACJA:

Każda pompa wyposażona jest w zawory odcinające po stronie ssawnej, zawory zwrotne i zawory tłoczne.

Patrz ilustracja karty sterującej na Fig. 2 i 3:

1. Elektroniczna karta sterująca
2. Zintegrowana przetwornica częstotliwości do sterowania prędkością pompy MHIE
3. Przełącznik do wyboru liczby pomp
4. Regulowany rezystor
5. Podpory przyczepne

### 5.4 Wyposażenie dodatkowe

Dostępne w sprzedaży jest następujące wyposażenie dodatkowe:

- Zawory odcinające
  - Węże tłumiące drgania
  - Reduktor ciśnienia
  - Zbiornik ciśnieniowy
  - Kosz ssawny zaworu stopowego
- Wyposażenie dodatkowe należy zamawiać oddzielnie i musi zostać zainstalowane w systemie.

## 6 Opis i działanie

### 6.1 Opis

System do podnoszenia ciśnienia zasilany jest poprzez jego gotowe do podłączenia orurowanie. Klient musi prawidłowo podłączyć rozdzielacze ssące i tłoczne.

Klient musi również podłączyć sterownik do zasilania sieciowego.

Podczas podłączania do miejskiej sieci wodociągowej należy przestrzegać przepisów i obowiązujących norm oraz, w razie konieczności, przepisów przedsiębiorstw dystrybucji wody. Ponadto należy wziąć pod uwagę lokalną specyfikę: na przykład, jeśli ciśnienie na ssaniu jest zbyt wysokie lub zmienne, należy zainstalować reduktor ciśnienia.

### 6.2 Eksploatacja

System do podnoszenia ciśnienia wyposażony jest w normalnie zasysające wysokociśnieniowe pompy wirowe.

Pompy zwiększają ciśnienie i transportują wodę do klienta poprzez rozdzielacz tłoczny. Ponadto są aktywowane/wyłączane i sterowane zgodnie z obciążeniem ciśnieniowym. Czujnik ciśnienia stale mierzy rzeczywiste obciążenie ciśnieniowe,

które przekształcane jest na sygnał prądowy, a następnie przesyłane do karty sterującej. Pompy są aktywowane, dodawane i wyłączane w zależności od potrzeb poprzez kartę sterującą. Prędkość pompy modyfikowana jest do momentu osiągnięcia ustawionych parametrów sterowania. Pompa uruchamiana jako pierwsza nazywana jest pompą główną. Pozostałe pompy, potrzebne do osiągnięcia punktu pracy systemu, nazywane są pompami obciążenia szczytowego. Aby skonfigurować system zaopatrzenia w wodę użytkową zgodnie z DIN 1988, należy podłączyć pompę rezerwową, tak aby stale obecna była pompa w stanie czuwania na wypadek maksymalnej cyrkulacji. Aby zapewnić wyważoną pracę wszystkich pomp, są one cały czas naprzemiennie przełączane, tzn. sekwencja uruchamiania i włączania obciążenia głównego, napełnianie i funkcje pompy rezerwowej są regularnie zmieniane.

Karta sterowania umożliwia automatyczne przełączanie naprzemiennie co około 200 minut w celu odpowiedniego rozdystrybuowania godzin pracy każdej pompy.

Ciśnieniowe naczynie przeponowe (o łącznej pojemności ok. 8 litrów) tworzy efekt buforowy na czujniku ciśnienia i eliminuje oscylacje układu sterowania w momencie uruchamiania i wyłączenia systemu. Pozwala również na pobranie małej ilości wody (na przykład w przypadku niewielkiego przecieku) z dostępnego magazynowanego zasobu wody bez aktywowania pompy głównej. W ten sposób zredukowana jest częstotliwość załączania pomp i stabilizowany jest stan roboczy systemu do podnoszenia ciśnienia.

## 7 Montaż i podłączenie

### 7.1 Dostawa i montaż

Rozpakować urządzenie i zutilizować opakowanie w sposób przyjazny dla środowiska.

System do podnoszenia ciśnienia należy zainstalować w łatwo dostępnym pomieszczeniu, w którym zapewniona jest odpowiednia wentylacja i ochrona przed mrozem. Drogi dostępne do pomieszczenia nie mogą być zastawione.

Konstrukcja systemu do podnoszenia ciśnienia umożliwia instalację na podłodze, na płaskiej, betonowej powierzchni. Ponieważ płyta podstawy umieszczona jest na amortyzatorach o regulowanej wysokości, instalacja ma już zapewnioną izolację od transmisji hałasu.

Jeżeli system ma zostać dodatkowo przymocowany do podłogi w miejscu instalacji, należy podjąć stosowne działania, aby wyeliminować transmisję hałasu poprzez takie struktury.

### 7.2 Podłączenie elektryczne



**OSTRZEŻENIE! Ryzyko porażenia prądem!**  
**Połączenia elektryczne muszą zostać wykonane przez elektryka mającego uprawnienia wydane przez lokalnego dostawcę energii elektrycznej i zgodnie z obowiązującymi lokalnymi przepisami.**

Podczas wykonywania połączenia elektrycznego ważne jest, aby postępować zgodnie z właściwą instrukcją montażu i obsługi oraz schematem połączeń, dostarczonymi wraz ze sterownikiem. Ogólnie należy przestrzegać następujących kwestii:

- Napięcie przyłącza sieciowego musi być zgodne z charakterystyką podaną na tabliczce znamionowej i schemacie połączenia sterownika.
- Kabel zasilający sterownika musi być przystosowany do łącznej mocy systemu do podnoszenia ciśnienia (patrz tabliczka znamionowa i dane techniczne).
- System do podnoszenia ciśnienia musi być uziemiony zgodnie z przepisami (tzn. zgodnie z lokalnymi przepisami i warunkami); w tym celu przyłącza są odpowiednio oznaczone (patrz również schemat połączeń).



NOTYFIKACJA:

Należy pamiętać o podłączeniu płyty podstawy systemu do podnoszenia ciśnienia do uziemienia w miejscu instalacji systemu.

### 7.3 Przyłącze hydrauliczne

W trakcie podłączania do miejskiej sieci wodociągowej należy przestrzegać właściwych wymagań lokalnych przedsiębiorstw wodociągowych.

System można podłączyć dopiero po przeprowadzeniu wszystkich prac spawalniczych i lutowniczych i po (obowiązkowym) przepłukaniu i (opcjonalnie) dezynfekcji obwodu hydraulicznego i dostarczonego systemu do podnoszenia ciśnienia.

Bezwzględnie wymagane jest odcięcie wszelkich źródeł zasilania podczas instalacji orurowania na miejscu. Zaleca się stosowanie kompensatorów ograniczających długość lub elastycznych przewodów łączących, aby chronić sztywne połączenia przed odkształceniem i zredukować przenoszenie drgań systemu na budynek. Aby wyeliminować przenoszenie hałasu emitowanego przez konstrukcję na obudowę, połączenia rurowe nie powinny być podłączane do orurowania systemu do podnoszenia ciśnienia.

Połączenie wykonywane jest zgodnie z lokalnymi warunkami, na prawo lub na lewo od systemu. Wówczas nieużywane połączenia blokowane są za pomocą dostarczonych zaślepek.

Opór przepływu przewodu ssawnego powinien być tak niski, jak to możliwe (innymi słowy: krótki przewód, mała ilość zagięć i odpowiednio duże zawory odcinające), w przeciwnym wypadku może dojść do zadziałania zabezpieczenia przed suchobiegiem przy dużych stratach ciśnienia lub wysokiej wydajności (należy wziąć pod uwagę NPSH pompy i unikać strat ciśnienia i kawitacji).

Rozdzielacze ssawne i tłoczne można podłączyć po lewej lub prawej stronie.

Przed podłączeniem systemu do podnoszenia ciśnienia należy podłączyć zawory do 2 zbiorników retencyjnych, aby odizolować je na czas przeprowadzania prac na systemie.



- **PRZESTROGA!** Jeżeli system do podnoszenia ciśnienia podłączony jest do miejskiej sieci wodociągowej pod ciśnieniem, należy upewnić się, że system jest w stanie wytrzymać maksymalne ciśnienie pompy przy zerowej prędkości przepływu miejskiej sieci wodociągowej. Jeśli system do podnoszenia ciśnienia nie jest przystosowany do takiego ciśnienia, należy zainstalować reduktor ciśnienia na jego wylocie.

- **Zdecydowanie zalecamy zainstalowanie urządzenia do regulacji różnicy ciśnień na rurze dopływowej wody, aby uniknąć wahań ciśnienia na wejściu systemu do podnoszenia ciśnienia.**

Jeśli system do podnoszenia ciśnienia przełączony jest na tryb ssania w zbiorniku wody uzupełniającej, starty tarcia nie mogą przekroczyć maksymalnej wydajności ssania pompy.

Zaleca się zastosowanie zaworu stopowego przy rurociągu o wymiarach równych lub większych od średnicy nominalnej rurociągu po stronie ssawnej. System musi zawsze być wyposażony w zbiornik ciśnieniowy.

## 8 Uruchomienie/wyłączenie z eksploatacji

Zalecamy, aby pierwsze uruchomienie systemu do podnoszenia ciśnienia zostało przeprowadzone przez najbliższego przedstawiciela serwisu technicznego firmy Wilo lub wystarczy skontaktować się z centralnym serwisem technicznym firmy Wilo.

### 8.1 Przygotowania ogólne i środki kontroli

- Przed pierwszym uruchomieniem należy sprawdzić okablowanie zainstalowane przez klienta, w szczególności uziemienie;
- Należy sprawdzić źródło zaopatrzenia w wodę (odpowiednio pełny zbiornik wody uzupełniającej lub odpowiednia miejska sieć wodociągowa);
- Należy napełnić system i upewnić się, że jest szczelny poprzez kontrolę wzrokową;
- Otworzyć zawory odcinające na pompach i w rurach ssawnych i tłocznych;
- Odkręcić korki w systemie wentylacji pomp i powoli napełnić pompy wodą, tak aby całkowicie je odpowietrzyć.



**PRZESTROGA! Ryzyko uszkodzenia instalacji! Nigdy nie należy dopuszczać do pracy pompy „na sucho”. Suchobieg niszczy uszczelnienie mechaniczne i powoduje przeciążenie silnika.**

- Zwiększyć ciśnienie w ciśnieniowym naczyniu przeponowym. Ciśnienie pompowania zbiornika musi być niższe o 0,3 bara od ciśnienia, które aktywuje pompy.



### NIEBEZPIECZEŃSTWO!

**Nie wolno przekraczać maksymalnej wartości wstępnego pompowania zbiornika.**

- Sprawdzić kierunek obrotów pomp: uruchamiając na chwilę pompę, należy sprawdzić, czy kierunek obrotów pomp jest zgodny ze strzałką, znajdującą się na obudowie pompy. Jeśli kierunek obrotów jest nieprawidłowy, należy zamienić ze sobą fazy.
- **NIEBEZPIECZEŃSTWO! Ryzyko porażenia prądem! Przed przełączeniem faz należy odciąć zasilanie za pomocą głównego wyłącznika maszyny.**
- Na sterowniku należy sprawdzić i wyregulować wymagane parametry pracy zgodnie z dostarczoną instrukcją montażu i obsługi.



### 8.2 Uruchomienie systemu

Po wykonaniu wszystkich prac przygotowawczych i kontroli opisanych w Punkcie 8.1, należy przełączyć wyłącznik główny.

Czujnik ciśnienia zmierzy dostępne ciśnienie i wyśle odpowiedni sygnał elektroniczny do urządzenia regulacyjnego.

Jeśli ciśnienie jest niższe niż ustawione ciśnienie załączania, włączona zostanie pompa główna zgodnie z ustawionymi parametrami i typem sterowania, a być może również pompa/-y obciążenia szczytowego, do momentu napełnienia sieci przewodów rurowych klienta wodą i osiągnięcia ustawionego ciśnienia.

### Regulacja

Należy ustawić regulowany rezystor karty za pomocą śrubokręta (Fig. 3, poz. 4), aby osiągnąć żądany poziom ciśnienia (należy odczytać ustawienia na wyświetlaczach wariatora).

UWAGA:

Odchylenie od ustawionych wartości o około 5 % pomiędzy wariatorami jest w pełni normalne.

### PRZESTROGA!

**Nie pozwalaj pompie pracować przez dłużej niż jedną minutę przy zamkniętym zaworze tłocznym.**



### 8.3 Wyłączenie systemu z eksploatacji

Jeśli konieczne jest wyłączenie systemu do podnoszenia ciśnienia z eksploatacji, aby możliwe było przeprowadzenie prac konserwacyjnych i naprawczych lub podobnych, należy postępować w następujący sposób:

- Należy wyłączyć wyłącznik główny i uniemożliwić uruchomienie systemu przez nieupoważnione osoby.
- Zamknąć zawory odcinające przed i za instalacją.
- Odizolować i opróżnić ciśnieniowe naczynie przeponowe.
- W razie konieczności całkowicie opróżnić system.

## 9 Konserwacja



Prace konserwacyjne i naprawcze może wykonywać wyłącznie wykwalifikowany personel!

**NIEBEZPIECZEŃSTWO! Zagrożenie życia!**

**W trakcie prac na urządzeniach elektrycznych istnieje niebezpieczeństwo śmierci przez porażenie prądem.**

**Przed rozpoczęciem jakichkolwiek prac konserwacyjnych lub naprawczych należy odłączyć urządzenie lub system od zasilania i upewnić się, że nie mogą one zostać ponownie włączone przez nieupoważnione osoby. Ogólnie tylko wykwalifikowany elektryk/inżynier powinien zostać dopuszczony do naprawy uszkodzonych kabli połączeniowych.**

Aby zapewnić optymalne niezawodne działanie i maksymalnie ograniczyć koszty eksploatacji, zaleca się regularne przeprowadzanie inspekcji i prac konserwacyjnych systemu do podnoszenia ciśnienia (patrz norma DIN 1988). W tym celu najlepszym rozwiązaniem jest zlecenie prac konserwacyjnych specjalistycznej firmie lub naszemu działowi obsługi klienta.

Następujące inspekcje należy przeprowadzać regularnie:

- Sprawdzenie, czy system do podnoszenia ciśnienia znajduje się w dobrym stanie roboczym.
- Sprawdzenie uszczelnień mechanicznych pomp. Uszczelnienia mechaniczne używają wody do smarowania, w związku z czym małe jej ilości mogą wyciekać z uszczelki. W przypadku większego wycieku należy wymienić uszczelkę mechaniczną.
- Sprawdzać (najlepiej co 3 miesiące), czy w ciśnieniowym naczyniu przeponowym utrzymywane jest ciśnienie prawidłowe dla wstępnego zwiększania ciśnienia i czy naczynie jest szczelne.



**PRZESTROGA! Ryzyko uszkodzenia instalacji!**

**W przypadku nieprawidłowego ciśnienia wstępnego prawidłowa praca ciśnieniowego naczynia przeponowego nie może zostać zagwarantowana. Może to doprowadzić do nadmiernego zużycia naczynia i awarii technicznych.**

W przypadku systemów do podnoszenia ciśnienia z przetwornicami częstotliwości filtry wejściowe i wyjściowe na wentylatorze muszą zostać wyczyszczone bezzwłocznie, gdy tylko staną się znacznie zanieczyszczone.

W przypadku wyłączenia systemu na długi okres należy postępować w sposób opisany w Punkcie 8.3 i opróżnić wszystkie pompy poprzez otwarcie korków spustowych na dole pompy.

## 10 Usterki, przyczyny usterek i ich usuwanie

Problemy, w szczególności problemy dotyczące pomp i sterownika, mogą być rozwiązywane wyłącznie przez przedstawiciela serwisu technicznego firmy Wilo lub specjalistycznej firmy.



**NOTYFIKACJA:**

Podczas przeprowadzania wszelkich prac konserwacyjnych i naprawczych należy postępować zgodnie z ogólnymi instrukcjami bezpieczeństwa! Ważne jest również, aby postępować zgodnie z instrukcjami montażu i obsługi dla pomp i sterownika!



**NIEBEZPIECZEŃSTWO! Zagrożenie życia!**

**Problemy z systemem może rozwiązywać wyłącznie odpowiednio wykwalifikowany personel!**

**Należy przestrzegać instrukcji dotyczących bezpieczeństwa opisanych w Punkcie 9.**

Usterka	Przyczyna	Rozwiązanie
Co najmniej jedna z dwóch pomp nie uruchamia się	Pobór powietrza po stronie ssawnej	Sprawdzić szczelność wszystkich połączeń w rurociągu ssącym. Sprawdzić, czy filtr siatkowy jest odpowiednio zanurzony w wodzie.
	Kosz ssawny zaworu stopowego jest nieszczelny lub zastoiny	Sprawdzić szczelność zaworu i wymienić go w razie konieczności.
	Znaczne straty tarcia po stronie ssawnej	Sprawdzić straty tarcia i upewnić się, że są zgodne z NPSH pomp.
	Ciśnienie miejskiej sieci wodociągowej jest zbyt niskie lub brak ciśnienia	Ustawić system w taki sposób, aby zasilat system do podnoszenia ciśnienia ze zbiornika wody uzupełniającej.
	Wysokość ssania nad zbiornikiem jest zbyt wysoka	Upewnić się, że minimalny poziom zbiornika jest zgodny z NPSH pomp.
	Zablokowane przewody ssące lub zamknięty zawór na rozdzielaczu ssącym	Sprawdzić, czy zawór jest otwarty i w razie konieczności wyczyścić orurowanie.

Usterka	Przyczyna	Rozwiązanie
Jedna pompa nie uruchamia się	Aktywowało się termiczne zabezpieczenie silnika	Lampa ostrzegająca o awarii pompy na sterowniku musi być zapalona. Sprawdzić ustawienia termicznego zabezpieczenia silnika i zresetować.
	Aktywacja bezpiecznika magnetycznego	Sprawdzić, czy nie doszło do zwarcia faz silnika. W razie potrzeby wymienić silnik. Zresetować bezpiecznik.
	Zablokowany wał pompy	Odłączyć zasilanie sterownika, a następnie sprawdzić, czy wał pompy obraca się swobodnie. Jeśli jest zablokowany, należy zdemontować pompę.
	Awaria uzwojenia	Odłączyć właściwy zacisk silnika i sprawdzić rezystor na zaciskach i uziemienie stojana. W razie potrzeby wymienić silnik.
Brak ciśnienia po stronie tłocznej	Co najmniej jedna pompa wyłączyła się	Patrz poprzedni punkt, usterka „Co najmniej jedna z dwóch pomp nie uruchamia się”.
	Ciśnienie miejskiej sieci wodociągowej jest poniżej zalecanego poziomu	Skontaktować się z lokalnym dostawcą wody lub wymienić system do podnoszenia ciśnienia. Skontaktować się z nami.
	Jedna z pomp jest zatkana przez ciała obce	Zdemontować i wyczyścić pompę.
	Silniki zasilane są zbyt małym napięciem elektrycznym	Sprawdzić napięcie i połączenie z zaciskami silnika.
Losowe załączanie się, pompy często się uruchamiają	Uszkodzony czujnik ciśnienia	Sprawdzić ustawienia: jeśli czujnik jest niestabilny, musi zostać wymieniony.
	Niewystarczająca wydajność systemu (lub zbiornik o niewystarczającej pojemności)	Zainstalować dodatkowy zbiornik lub wymienić na zbiornik o większej pojemności.
	Poziom wstępnego napowietrzania zbiornika jest niezgodny	Napowietrzyć zbiornik.
	Zbiornik wody jest przebity	Wymienić zbiornik.
Zabezpieczenie przed niskim poziomem wody uruchamia się często	Zbyt wysokie ustawienie wyłącznika suchobiegu	Wyregulować i skorygować ustawienia wyłącznika odcinającego.
	Ciśnienie miejskiej sieci wodociągowej spada po aktywacji pomp	Nastawić wyłącznik suchobiegu na minimalny poziom. Powtarzanie się problemu oznacza niewystarczający dopływ wody z miejskiej sieci wodociągowej; należy sprawdzić odczyt manometru po uruchomieniu się pomp lub skontaktować się z zarządcą miejskiej sieci wodociągowej.
Wadliwa praca automatyczna	Uszkodzony sterownik	Zapoznać się z instrukcją sterownika.
	Uszkodzony czujnik	Sprawdzić styki; w razie konieczności wymienić uszkodzony czujnik.
	Odłączone przewody	Sprawdzić wszystkie połączenia listwy zaciskowej sterownika.
Zawór tłoczny jest nieszczelny	Uszkodzenie membrany lub uszczelki zaworu	Wymienić zawory.
System do podnoszenia ciśnienia nie zatrzymuje lub nie uruchamia się	Zawór odcinający czujnika ciśnienia jest zamknięty	Otworzyć zawór odcinający czujnika ciśnienia.

W razie niemożności usunięcia usterki należy skontaktować się technikiem specjalistą lub najbliższym przedstawicielem serwisu technicznego firmy Wilo.

## 11 Części zamienne

Części zamienne można zamówić za pośrednictwem specjalistycznych lokalnych dystrybutorów i/lub działu obsługi klienta Wilo; za ich pośrednictwem można również zorganizować prace naprawcze.

Aby uniknąć dodatkowych pytań i nieprawidłowych zamówień, należy przy każdym zamówieniu podać wszystkie dane znajdujące się na tabliczce znamionowej.

## 12 Utylizacja



Dzięki należytej utylizacji oraz recyklingowi niniejszego produktu unika się powstania szkód dla środowiska naturalnego i zagrożenia dla zdrowia osób. Utylizacja zgodna z przepisami zakłada opróżnienie, wyczyszczenie i demontaż zespołu pomp silnika. Zlać olej smarujący. Komponenty systemu do podnoszenia ciśnienia należy sortować zgodnie z materiałami (metal, plastik i elektronika).

1. Aby zutylizować produkt i jego komponenty, należy skontaktować się publiczną lub prywatną firmą zajmującą się utylizacją odpadów.
2. Dodatkowe informacje dotyczące prawidłowej utylizacji produktu można uzyskać od władz lokalnych, organizacji zajmujących się wywozem i utylizacją odpadów lub punktu sprzedaży, w którym zakupiono produkt.

Dodatkowe informacje znajdują się na stronie [www.wilo.com](http://www.wilo.com)

**Zastrzega się możliwość wprowadzenia zmian o charakterze technicznym!**



**EU/EG KONFORMITÄTSERKLÄRUNG**  
**EU/EC DECLARATION OF CONFORMITY**  
**DECLARATION DE CONFORMITE UE/CE**

Als Hersteller erklären wir unter unserer alleinigen Verantwortung, daß die Druckerhöhungsanlagen der Baureihe,  
*We, the manufacturer, declare under our sole responsibility that these booster set types of the series,*  
*Nous, fabricant, déclarons sous notre seule responsabilité que les types de surpresseurs de la série,*

**COR-MHIE...MS**

*(Die Seriennummer ist auf dem Typenschild des Produktes nach Punkten b) & c) von §1.7.4.2 und §1.7.3 des Anhanges I der Maschinenrichtlinie angegeben. / The serial number is marked on the product site plate according to points b) & c) of §1.7.4.2 and §1.7.3 of the annex I of the Machinery directive. / Le numéro de série est inscrit sur la plaque signalétique du produit en accord avec les points b) & c) du §1.7.4.2 et du §1.7.3 de l'annexe I de la Directive Machines.)*

in der gelieferten Ausführung folgenden einschlägigen Bestimmungen entsprechen:  
*In their delivered state comply with the following relevant directives:*  
*dans leur état de livraison sont conformes aux dispositions des directives suivantes :*

**\_ Maschinenrichtlinie 2006/42/EG**

**\_ Machinery 2006/42/EC**

**\_ Machines 2006/42/CE**

und gemäss Anhang 1, §1.5.1, werden die Schutzziele der Niederspannungsrichtlinie 2014/35/EU eingehalten  
*and according to the annex 1, §1.5.1, comply with the safety objectives of the Low Voltage Directive 2014/35/EU*  
*et, suivant l'annexe 1, §1.5.1, respectent les objectifs de sécurité de la Directive Basse Tension 2014/35/UE*

**\_ Elektromagnetische Verträglichkeit - Richtlinie 2014/30/EU**

**\_ Electromagnetic compatibility 2014/30/EU**

**\_ Compabilité électromagnétique 2014/30/UE**

und entsprechender nationaler Gesetzgebung,  
*and with the relevant national legislation,*  
*et aux législations nationales les transposant,*

sowie auch den Bestimmungen zu folgenden harmonisierten europäischen Normen:  
*comply also with the following relevant harmonised European standards:*  
*sont également conformes aux dispositions des normes européennes harmonisées suivantes :*

**EN ISO 12100**

**EN 60204-1**

**EN 61000-6-1:2007**  
**EN 61000-6-2:2005**

**EN 61000-6-3+A1:2011**  
**EN 61000-6-4+A1:2011**

Bevollmächtigter für die Zusammenstellung der technischen Unterlagen ist:

*Person authorized to compile the technical file is:*

*Personne autorisée à constituer le dossier technique est :*

Dortmund,



Digital unterschrieben  
von Holger Herchenhein  
Datum: 2018.10.04  
07:52:07 +02'00'

Group Quality  
WILO SE  
Nortkirchenstraße 100  
D-44263 Dortmund



**H. HERCHENHEIN**  
**Senior Vice President - Group Quality**

**WILO SE**  
**Nortkirchenstraße 100**  
**44263 Dortmund - Germany**

N°2195326.01 (CE-A-S n°4230546)



<p align="center"><b>(BG) - български език</b> <b>ДЕКЛАРАЦИЯ ЗА СЪОТЕТСТВИЕ ЕС/ЕО</b></p> <p>WILO SE декларира, че продуктите посочени в настоящата декларация съответстват на разпоредбите на следните европейски директиви и приелите ги национални законодателства:</p> <p>Машины 2006/42/ЕО ; Електромагнитна съвместимост 2014/30/ЕС</p> <p>както и на хармонизираните европейски стандарти, упоменати на предишната страница.</p>	<p align="center"><b>(CS) - Čeština</b> <b>EU/ES PROHLÁŠENÍ O SHODĚ</b></p> <p>WILO SE prohlašuje, že výrobky uvedené v tomto prohlášení odpovídají ustanovením níže uvedených evropských směrnic a národním právním předpisům, které je přejímají:</p> <p>Stroje 2006/42/ES ; Elektromagnetická Kompatibilita 2014/30/EU</p> <p>a rovněž splňují požadavky harmonizovaných evropských norem uvedených na předcházející stránce.</p>
<p align="center"><b>(DA) - Dansk</b> <b>EU/EF-OVERENSSTEMMELSESERKLÆRING</b></p> <p>WILO SE erklærer, at produkterne, som beskrives i denne erklæring, er i overensstemmelse med bestemmelserne i følgende europæiske direktiver, samt de nationale lovgivninger, der gennemfører dem:</p> <p>Maskiner 2006/42/EF ; Elektromagnetisk Kompatibilitet 2014/30/EU</p> <p>De er ligeledes i overensstemmelse med de harmoniserede europæiske standarder, der er anført på forrige side.</p>	<p align="center"><b>(EL) - Ελληνικά</b> <b>ΔΗΛΩΣΗ ΣΥΜΜΟΡΦΩΣΗΣ ΕΕ/ΕΚ</b></p> <p>WILO SE δηλώνει ότι τα προϊόντα που ορίζονται στην παρούσα ευρωπαϊκά δήλωση είναι σύμφωνα με τις διατάξεις των παρακάτω οδηγιών και τις εθνικές νομοθεσίες στις οποίες έχει μεταφερθεί:</p> <p>Μηχανήματα 2006/42/ΕΚ ; Ηλεκτρομαγνητικής συμβατότητας 2014/30/ΕΕ</p> <p>και επίσης με τα εξής εναρμονισμένα ευρωπαϊκά πρότυπα που αναφέρονται στην προηγούμενη σελίδα.</p>
<p align="center"><b>(ES) - Español</b> <b>DECLARACIÓN DE CONFORMIDAD UE/CE</b></p> <p>WILO SE declara que los productos citados en la presenta declaración están conformes con las disposiciones de las siguientes directivas europeas y con las legislaciones nacionales que les son aplicables :</p> <p>Máquinas 2006/42/CE ; Compatibilidad Electromagnética 2014/30/UE</p> <p>Y igualmente están conformes con las disposiciones de las normas europeas armonizadas citadas en la página anterior.</p>	<p align="center"><b>(ET) - Eesti keel</b> <b>EL/EÜ VASTAVUSDEKLARATSIOONI</b></p> <p>WILO SE kinnitab, et selles vastavustunnistuses kirjeldatud tooted on kooskõlas alljärgnevate Euroopa direktiivide sätetega ning riiklike seadusandlustega, mis nimetatud direktiivid üle on võtnud:</p> <p>Masinaid 2006/42/EÜ ; Elektromagnetilist Ühilduvust 2014/30/EL</p> <p>Samuti on tooted kooskõlas eelmisel leheküljel ära toodud harmoniseeritud Euroopa standarditega.</p>
<p align="center"><b>(FI) - Suomen kieli</b> <b>EU/EY-VAATIMUSTENMUKAISUUSVAKUUTUS</b></p> <p>WILO SE vakuuttaa, että tässä vakuutuksessa kuvatut tuotteet ovat seuraavien eurooppalaisten direktiivien määräysten sekä niihin sovellettavien kansallisten lakiasetusten mukaisia:</p> <p>Koneet 2006/42/EY ; Sähkömagneettinen Yhteensopivuus 2014/30/EU</p> <p>Lisäksi ne ovat seuraavien edellisellä sivulla mainittujen yhdenmukaistettujen eurooppalaisten normien mukaisia.</p>	<p align="center"><b>(GA) - Gaeilge</b> <b>AE/EC DEARBHÚ COMHLÍONTA</b></p> <p>WILO SE ndearbhaíonn an cur síos ar na táirgí atá i ráiteas seo, siad i gcomhréir leis na forálacha atá sna treoracha seo a leanas na hEorpa agus leis na dlíthe náisiúnta is infheidhme orthu:</p> <p>Innealra 2006/42/EC ; Comhoiriúnacht Leictreamaighnéadach 2014/30/AE</p> <p>Agus siad i gcomhréir le forálacha na caighdeáin chomhchuibhithe na hEorpa dá dtagraítear sa leathanach roimhe seo.</p>
<p align="center"><b>(HR) - Hrvatski</b> <b>EU/EZ IZJAVA O SUKLADNOSTI</b></p> <p>WILO SE izjavlja da su proizvodi navedeni u ovoj izjavi u skladu sa sljedećim prihvaćenim europskim direktivama i nacionalnim zakonima:</p> <p>EZ smjernica o strojevima 2006/42/EZ ; Elektromagnetna kompatibilnost - smjernica 2014/30/EU</p> <p>i usklađenim europskim normama navedenim na prethodnoj stranici.</p>	<p align="center"><b>(HU) - Magyar</b> <b>EU/EK-MEGFELELŐSÉGI NYILATKOZAT</b></p> <p>WILO SE kijelenti, hogy a jelen megfélelőségi nyilatkozatban megjelölt termékek megfelelnek a következő európai irányelvek előírásainak, valamint azok nemzeti jogrendbe átültetett rendelkezéseinek:</p> <p>Gépek 2006/42/EK ; Elektromágneses összeférhetőségre 2014/30/EU</p> <p>valamint az előző oldalon szereplő, harmonizált európai szabványoknak.</p>
<p align="center"><b>(IT) - Italiano</b> <b>DICHIARAZIONE DI CONFORMITÀ UE/CE</b></p> <p>WILO SE dichiara che i prodotti descritti nella presente dichiarazione sono conformi alle disposizioni delle seguenti direttive europee nonché alle legislazioni nazionali che le traspongono :</p> <p>Macchine 2006/42/CE ; Compatibilità Elettromagnetica 2014/30/UE</p> <p>E sono pure conformi alle disposizioni delle norme europee armonizzate citate a pagina precedente.</p>	<p align="center"><b>(LT) - Lietuvių kalba</b> <b>ES/EB ATITIKTIES DEKLARACIJA</b></p> <p>WILO SE pareiškia, kad šioje deklaracijoje nurodyti gaminiai atitinka šių Europos direktyvų ir jas perkeliančių nacionalinių įstatymų nuostatus:</p> <p>Mašinos 2006/42/EB ; Elektromagnetinis Suderinamumas 2014/30/ES</p> <p>ir taip pat harmonizuotas Europas normas, kurios buvo cituotos ankstesniame puslapyje.</p>
<p align="center"><b>(LV) - Latviešu valoda</b> <b>ES/EK ATBILSTĪBAS DEKLARĀCIJU</b></p> <p>WILO SEdeklarē, ka izstrādājumi, kas ir nosaukti šajā deklarācijā, atbilst šeit uzskaitīto Eiropas direktīvu nosacījumiem, kā arī atsevišķu valstu likumiem, kuros tie ir ietverti:</p> <p>Mašīnas 2006/42/EK ; Elektromagnētiskās Saderības 2014/30/ES</p> <p>un saskaņotajiem Eiropas standartiem, kas minēti iepriekšējā lappusē.</p>	<p align="center"><b>(MT) - Malti</b> <b>DIKJARAZZJONI TA' KONFORMITÀ UE/KE</b></p> <p>WILO SE jiddikjara li l-prodotti speċifikati f'din id-dikjarazzjoni huma konformi mad-direttivi Ewropej li jsegwu u mal-leġislażzjonijiet nazzjonali li japplikawhom:</p> <p>Makkinarju 2006/42/KE ; Kompatibbiltà Elettromanjetika 2014/30/UE</p> <p>kif ukoll man-normi Ewropej armonizzati li jsegwu imsemmija fil-paġna preċedenti.</p>

<p align="center"><b>(NL) - Nederlands</b> <b>EU/EG-VERKLARING VAN OVEREENSTEMMING</b></p> <p>WILO SE verklaart dat de in deze verklaring vermelde producten voldoen aan de bepalingen van de volgende Europese richtlijnen evenals aan de nationale wetgevingen waarin deze bepalingen zijn overgenomen:</p> <p>Machines 2006/42/EG ; Elektromagnetische Compatibiliteit 2014/30/EU</p> <p>De producten voldoen eveneens aan de geharmoniseerde Europese normen die op de vorige pagina worden genoemd.</p>	<p align="center"><b>(PL) - Polski</b> <b>DEKLARACJA ZGODNOŚCI UE/WE</b></p> <p>WILO SE oświadcza, że produkty wymienione w niniejszej deklaracji są zgodne z postanowieniami następujących dyrektyw europejskich i transponującymi je przepisami prawa krajowego:</p> <p>Maszyn 2006/42/WE ; Kompatybilności Elektromagnetycznej 2014/30/UE</p> <p>oraz z następującymi normami europejskich zharmonizowanymi podanymi na poprzedniej stronie.</p>
<p align="center"><b>(PT) - Português</b> <b>DECLARAÇÃO DE CONFORMIDADE UE/CE</b></p> <p>WILO SE declara que os materiais designados na presente declaração obedecem às disposições das diretivas europeias e às legislações nacionais que as transcrevem :</p> <p>Máquinas 2006/42/CE ; Compatibilidade Electromagnética 2014/30/UE</p> <p>E obedecem também às normas europeias harmonizadas citadas na página precedente.</p>	<p align="center"><b>(RO) - Română</b> <b>DECLARAȚIE DE CONFORMITATE UE/CE</b></p> <p>WILO SE declară că produsele citate în prezenta declarație sunt conforme cu dispozițiile directivelor europene următoare și cu legislațiile naționale care le transpun :</p> <p>Mașini 2006/42/CE ; Compatibilitate Electromagnetică 2014/30/UE</p> <p>și, de asemenea, sunt conforme cu normele europene armonizate citate în pagina precedentă.</p>
<p align="center"><b>(SK) - Slovenčina</b> <b>EÚ/ES VYHLÁSENIE O ZHODE</b></p> <p>WILO SE čestne prehlasuje, že výrobky ktoré sú predmetom tejto deklarácie, sú v súlade s požiadavkami nasledujúcich európskych direktív a odpovedajúcich národných legislatívnych predpisov:</p> <p>Strojových zariadeniach 2006/42/ES ; Elektromagnetickú Kompatibilitu 2014/30/EÚ</p> <p>ako aj s harmonizovanými európskymi normami uvedenými na predchádzajúcej strane.</p>	<p align="center"><b>(SL) - Slovenščina</b> <b>EU/ES-IZJAVA O SKLADNOSTI</b></p> <p>WILO SE izjavlja, da so izdelki, navedeni v tej izjavi, v skladu z določili naslednjih evropskih direktiv in z nacionalnimi zakonodajami, ki jih vsebujejo:</p> <p>Stroji 2006/42/ES ; Elektromagnetno Združljivostjo 2014/30/EU</p> <p>pa tudi z usklajenimi evropskih standardi, navedenimi na prejšnji strani.</p>
<p align="center"><b>(SV) - Svenska</b> <b>EU/EG-FÖRSÄKRAN OM ÖVERENSSTÄMMELSE</b></p> <p>WILO SE intygat att materialet som beskrivs i följande intyg överensstämmer med bestämmelserna i följande europeiska direktiv och nationella lagstiftningar som inför dem:</p> <p>Maskiner 2006/42/EG ; Elektromagnetisk Kompatibilitet 2014/30/EU</p> <p>Det överensstämmer även med följande harmoniserade europeiska standarder som nämnts på den föregående sidan.</p>	<p align="center"><b>(TR) - Türkçe</b> <b>AB/CE UYGUNLUK TEYID BELGESİ</b></p> <p>WILO SEbu belgede belirtilen ürünlerin aşağıdaki Avrupa yönetmeliklerine ve ulusal kanunlara uygun olduğunu beyan etmektedir:</p> <p>Makine Yönetmeliği 2006/42/AT ; Elektromanyetik Uyumluluk Yönetmeliği 2014/30/AB</p> <p>ve önceki sayfada belirtilen uyumlaştırılmış Avrupa standartlarına.</p>
<p align="center"><b>(IS) - Íslenska</b> <b>ESB/EB LEYFISYFIRLÝSING</b></p> <p>WILO SE lýsir því yfir að vörurnar sem um getur í þessari yfirlýsingu eru í samræmi við eftirfarandi tilskipunum ESB og landslögum hafa samþykkt:</p> <p>Vélartilskipun 2006/42/EB ; Rafseguls-samhæfni-tilskipun 2014/30/ESB</p> <p>og samhæfða evrópska staðla sem nefnd eru í fyrri síðu.</p>	<p align="center"><b>(NO) - Norsk</b> <b>EU/EG-OVERENSSTEMMELSESERKLÆING</b></p> <p>WILO SE erklærer at produktene nevnt i denne erklæringen er i samsvar med følgende europeiske direktiver og nasjonale lover:</p> <p>EG-Maskindirektiv 2006/42/EG ; EG-EMV-Elektromagnetisk kompatibilitet 2014/30/EU</p> <p>og harmoniserte europeiske standarder nevnt på forrige side.</p>

## Wilo – International (Subsidiaries)

### Argentina

WILO SALMSON  
Argentina S.A.  
C1295ABI Ciudad  
Autónoma de Buenos Aires  
T +54 11 4361 5929  
matias.monea@wilo.com.ar

### Australia

WILO Australia Pty Limited  
Murrarie, Queensland, 4172  
T +61 7 3907 6900  
chris.dayton@wilo.com.au

### Austria

WILO Pumpen Österreich  
GmbH  
2351 Wiener Neudorf  
T +43 507 507-0  
office@wilo.at

### Azerbaijan

WILO Caspian LLC  
1065 Baku  
T +994 12 5962372  
info@wilo.az

### Belarus

WILO Bel IOOO  
220035 Minsk  
T +375 17 3963446  
wilo@wilo.by

### Belgium

WILO NV/SA  
1083 Ganshoren  
T +32 2 4823333  
info@wilo.be

### Bulgaria

WILO Bulgaria EOOD  
1125 Sofia  
T +359 2 9701970  
info@wilo.bg

### Brazil

WILO Comercio e  
Importacao Ltda  
Jundiaí – São Paulo – Brasil  
13.213-105  
T +55 11 2923 9456  
wilo@wilo-brasil.com.br

### Canada

WILO Canada Inc.  
Calgary, Alberta T2A 5L7  
T +1 403 2769456  
info@wilo-canada.com

### China

WILO China Ltd.  
101300 Beijing  
T +86 10 58041888  
wilobj@wilo.com.cn

### Croatia

WILO Hrvatska d.o.o.  
10430 Samobor  
T +38 51 3430914  
wilo-hrvatska@wilo.hr

### Cuba

WILO SE  
Oficina Comercial  
Edificio Simona Apto 105  
Siboney, La Habana. Cuba  
T +53 5 2795135  
T +53 7 272 2330  
raul.rodriguez@wilo-cuba.com

### Czech Republic

WILO CS, s.r.o.  
25101 Cestlice  
T +420 234 098711  
info@wilo.cz

### Denmark

WILO Nordic  
Drejergangen 9  
DK-2690 Karlslunde  
T +45 70 253 312  
wilo@wilo.dk

### Estonia

WILO Eesti OÜ  
12618 Tallinn  
T +372 6 509780  
info@wilo.ee

### Finland

WILO Nordic  
Tillinmäentie 1 A  
FIN-02330 Espoo  
T +358 207 401 540  
wilo@wilo.fi

### France

Wilo Salmson France S.A.S.  
53005 Laval Cedex  
T +33 2435 95400  
info@wilo.fr

### United Kingdom

WILO (U.K.) Ltd.  
Burton Upon Trent  
DE14 2WJ  
T +44 1283 523000  
sales@wilo.co.uk

### Greece

WILO Hellas SA  
4569 Anixi (Attika)  
T +302 10 6248300  
wilo.info@wilo.gr

### Hungary

WILO Magyarország Kft  
2045 Törökbálint  
(Budapest)  
T +36 23 889500  
wilo@wilo.hu

### India

Wilo Mather and Platt Pumps  
Private Limited  
Pune 411019  
T +91 20 27442100  
services@matherplatt.com

### Indonesia

PT. WILO Pumps Indonesia  
Jakarta Timur, 13950  
T +62 21 7247676  
citrawilo@cbn.net.id

### Ireland

WILO Ireland  
Limerick  
T +353 61 227566  
sales@wilo.ie

### Italy

WILO Italia s.r.l.  
Via Novegro, 1/A20090  
Segrate MI  
T +39 25538351  
wilo.italia@wilo.it

### Kazakhstan

WILO Central Asia  
050002 Almaty  
T +7 727 312 40 10  
info@wilo.kz

### Korea

WILO Pumps Ltd.  
20 Gangseo, Busan  
T +82 51 950 8000  
wilo@wilo.co.kr

### Latvia

WILO Baltic SIA  
1019 Riga  
T +371 6714-5229  
info@wilo.lv

### Lebanon

WILO LEBANON SARL  
Jdeideh 1202 2030  
Lebanon  
T +961 1 888910  
info@wilo.com.lb

### Lithuania

WILO Lietuva UAB  
03202 Vilnius  
T +370 5 2136495  
mail@wilo.lt

### Morocco

WILO Maroc SARL  
20250 Casablanca  
T +212 (0) 5 22 66 09 24  
contact@wilo.ma

### The Netherlands

WILO Nederland B.V.  
1551 NA Westzaan  
T +31 88 9456 000  
info@wilo.nl

### Norway

WILO Nordic  
Alf Bjerckes vei 20  
NO-0582 Oslo  
T +47 22 80 45 70  
wilo@wilo.no

### Poland

WILO Polska Sp. z.o.o.  
5-506 Lesznowola  
T +48 22 7026161  
wilo@wilo.pl

### Portugal

Bombas Wilo-Salmson  
Sistemas Hidraulicos Lda.  
4475-330 Maia  
T +351 22 2080350  
bombas@wilo.pt

### Romania

WILO Romania s.r.l.  
077040 Com. Chiajna  
Jud. Ilfov  
T +40 21 3170164  
wilo@wilo.ro

### Russia

WILO Rus ooo  
123592 Moscow  
T +7 496 514 6110  
wilo@wilo.ru

### Saudi Arabia

WILO Middle East KSA  
Riyadh 11465  
T +966 1 4624430  
wshoula@wataniaind.com

### Serbia and Montenegro

WILO Beograd d.o.o.  
11000 Beograd  
T +381 11 2851278  
office@wilo.rs

### Slovakia

WILO CS s.r.o., org. Zložka  
83106 Bratislava  
T +421 2 33014511  
info@wilo.sk

### Slovenia

WILO Adriatic d.o.o.  
1000 Ljubljana  
T +386 1 5838130  
wilo.adriatic@wilo.si

### South Africa

Wilo Pumps SA Pty LTD  
Sandton  
T +27 11 6082780  
gavin.bruggen wilo.co.za

### Spain

WILO Ibérica S.A.  
28806 Alcalá de Henares  
(Madrid)  
T +34 91 8797100  
wilo.iberica@wilo.es

### Sweden

WILO NORDIC  
Isbjörnsvägen 6  
SE-352 45 Växjö  
T +46 470 72 76 00  
wilo@wilo.se

### Switzerland

Wilo Schweiz AG  
4310 Rheinfelden  
T +41 61 836 80 20  
info@wilo.ch

### Taiwan

WILO Taiwan CO., Ltd.  
24159 New Taipei City  
T +886 2 2999 8676  
nelson.wu@wilo.com.tw

### Turkey

WILO Pompa Sistemleri  
San. ve Tic. A.Ş.  
34956 İstanbul  
T +90 216 2509400  
wilo@wilo.com.tr

### Ukraine

WILO Ukraine t.o.w.  
08130 Kiev  
T +38 044 3937384  
wilo@wilo.ua

### United Arab Emirates

WILO Middle East FZE  
Jebel Ali Free zone – South  
PO Box 262720 Dubai  
T +971 4 880 91 77  
info@wilo.ae

### USA

WILO USA LLC  
Rosemont, IL 60018  
T +1 866 945 6872  
info@wilo-usa.com

### Vietnam

WILO Vietnam Co Ltd.  
Ho Chi Minh City, Vietnam  
T +84 8 38109975  
nkminh@wilo.vn

# wilo

Pioneering for You

WILO SE  
Nortkirchenstraße 100  
D-44263 Dortmund  
Germany  
T +49(0)231 4102-0  
F +49(0)231 4102-7363  
wilo@wilo.com  
www.wilo.com