

Ref. : CB 5440.pas

Rev. : Q

Date : 05/11/2014

Page : 1/1

# WAFER TYPE SWING CHECK VALVE

## CB 5440



**Tecofi**  
VALVE DESIGNER - FRANCE

### APPLICATION

General uses: distribution and treatment of water (filtration, equipment of swimming pool) air conditioning, hydrocarbon, irrigation, etc.

### GENERAL CHARACTERISTICS

Design in accordance with standard NF EN 14341.  
From DN 40 to DN 400.  
Mounting and working position in horizontal and vertical ascending fluid.  
Short length.  
Easy mounting.  
Low weight.  
Seat inside body.  
Low head loss.  
Seat : rubber/metal or metal/metal (On request).  
Option : O ring for face flanges.

### CONSTRUCTION

7	2	Screw	Zinc plated steel
6	2	O-ring	EPDM
5	2	O-ring	EPDM
4	2	Retainer	Steel Q235B
3	1	Lifting ring	Zinc plated steel
2	1	Disc	Steel Q235B
1	1	Body	Steel Q235B
Pos.	Qty.	Description	Material

### DIMENSIONS

DN		L	Ø A	Ø D	d	Weight (kg)
mm	inch					
40	1" 1/2	16	22	94	14	0,74
50	2"	16	32	109	15	0,97
65	2" 1/2	16	43	129	16	1,34
80	3"	16	56	144	16,5	1,6
100	4"	16	73	164	17	1,99
125	5"	16	95	195	17,5	2,77
150	6"	19	116	221	20,5	4,06
200	8"	22	156	276	25,5	7,11
250	10"	32	200	330	40,5	14,9
300	12"	38	235	380	42,5	21,8
350	14"	38	280	444	49	30,1
400	16"	44	316	491	56,5	42,5

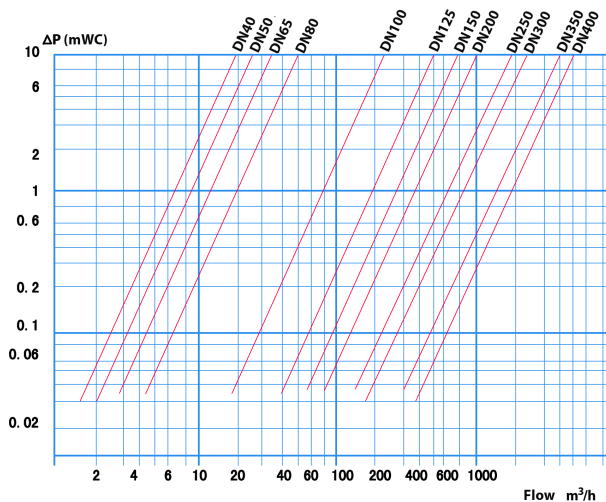
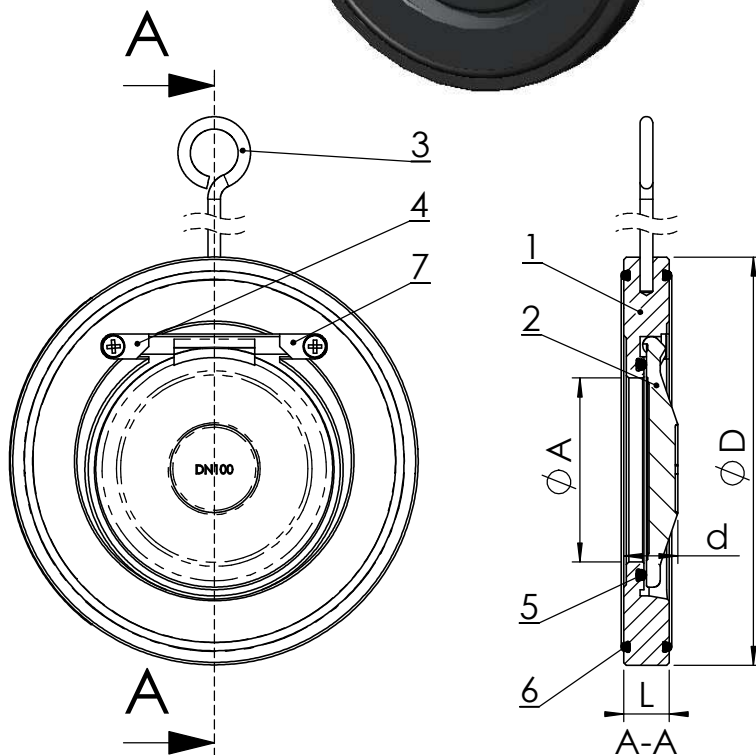
### WORKING CONDITIONS

Maximum working pressure : 16 bar.  
Maximum temperature : + 110°C.

Pressure test according to standards  
EN 12266-1, DIN 3230, BS 6755 and ISO 5208 :  
Body : 24 bar.  
Seat : 17,6 bar.

### STANDARDS

Face to face according to standard E 29-377 tab 2 serie FR,  
except DN 200 : serie FR variant ISO PN 16.  
Mounting between flanges PN 16.



**TECOFI France** - 83, Rue Marcel Mérieux 69960 Corbas - FRANCE  
Tél. +33 (0) 4 72 79 05 79 - Fax +33 (0) 4 78 90 19 19 / +33 (0) 4 72 79 05 70  
Adresses e-mail : sales@tecofi.fr ; tecofi@tecofi.fr / Site web : www.tecofi.fr